



# PARTS CATALOGUE

## YZF250 ( B4P3 ) MALAYSIA

---



1WB4P-440E1

( )

YZF250  
PARTS CATALOGUE  
©2021 by Yamaha Motor Co., Ltd.  
1st edition, January 2021  
All rights reserved.  
Any reprinting or unauthorized use  
without the written permission of  
Yamaha Motor Co., Ltd.  
is expressly prohibited.  
Printed in Japan.

# FOREWORD

This Parts Catalogue is related to the parts for the model(s) on the cover page. When you are ordering replacement parts, please refer to this Parts Catalogue and quote both part numbers and part names correctly.

1. Modifications or additions which have been made after the issue of the Parts Catalogue will be announced in the Parts News.  
It is advisable that you make the necessary corrections to the Parts Catalogue according to the Parts News.
2. Abbreviations  
The following abbreviations are used in this Parts Catalogue.  
“UR” Use specified parts number.  
“UN” Use as many as needed.  
“AP” Alternate Parts  
“LM” Locally Made (Parts need to be ordered locally)  
“F#” Frame No. (Applicable machine No.)  
“O/S” Over Size
3. The number of components for assembly
  - Parts, which are to be supplied in an assembly, are listed with a dot (.) in front of the part name as shown below.
  - The numeral appearing to the right of each component part indicates the quantity of parts for each assembly unit.

PART NO.	DESCRIPTION	Q'TY	REMARKS
2F5-83310-60	FRONT FLASHER LIGHT ASSY	2	
115-83311-60	.BULB (6V-18W)	1	

4. Applicable colours of graphics are represented in the “REMARKS” as shown below.

PART NO.	DESCRIPTION	Q'TY	REMARKS
2N4-24110-00-X5	FUEL TANK COMP.	2	MXR
3J1-24240-10	.GRAPHIC, FUEL TANK	1	FOR MXR

5. Note that the illustrations for reference in finding parts numbers are not to be used for assembling. When assembling, please use the applicable service manual.

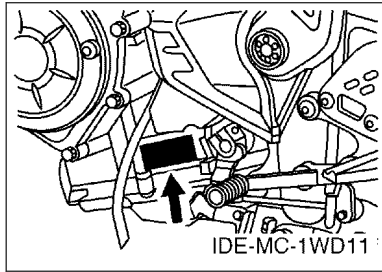
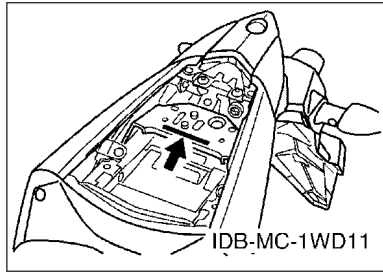
6. The asterisk (\*) before a reference number indicates modified items after the first edition.

# FOREWORD

7. Applicable Serial No.

Frame Serial No.

Engine Serial No.



8. Applicable Colour Code (The (\*) mark shows Model colour.)

Abbreviation	Colour Name	Colour Code
CM6(*)	CYAN METALLIC 6	1344
DPBM15	DEEP PURPLISH BLUE METALLIC 15	1329
DPBMC(*)	DEEP PURPLISH BLUE METALLIC C	0564
MBNM3	MAT BLUISH GRAY METALLIC 3	1758
SM12	BLACK METALLIC 12	1723
VYRS6	VIVID YELLOWISH RED SOLID 6	1699

9. Applicable Starting Serial No.

Frame Serial No.

Serial No.	Name Of Q'ty Column	Model Code

Engine Serial No.

Serial No.	Name Of Q'ty Column	Model Code

# CONTENTS

## ENGINE

CYLINDER HEAD.....	1
CRANKSHAFT & PISTON.....	3
VALVE.....	5
CAMSHAFT & CHAIN.....	7
WATER PUMP.....	8
RADIATOR & HOSE.....	9
OIL PUMP.....	10
INTAKE.....	11
EXHAUST.....	13
CRANKCASE.....	14
CRANKCASE COVER 1.....	15
STARTER CLUTCH.....	16
CLUTCH.....	17
TRANSMISSION.....	18
SHIFT CAM & FORK.....	20
SHIFT SHAFT.....	21

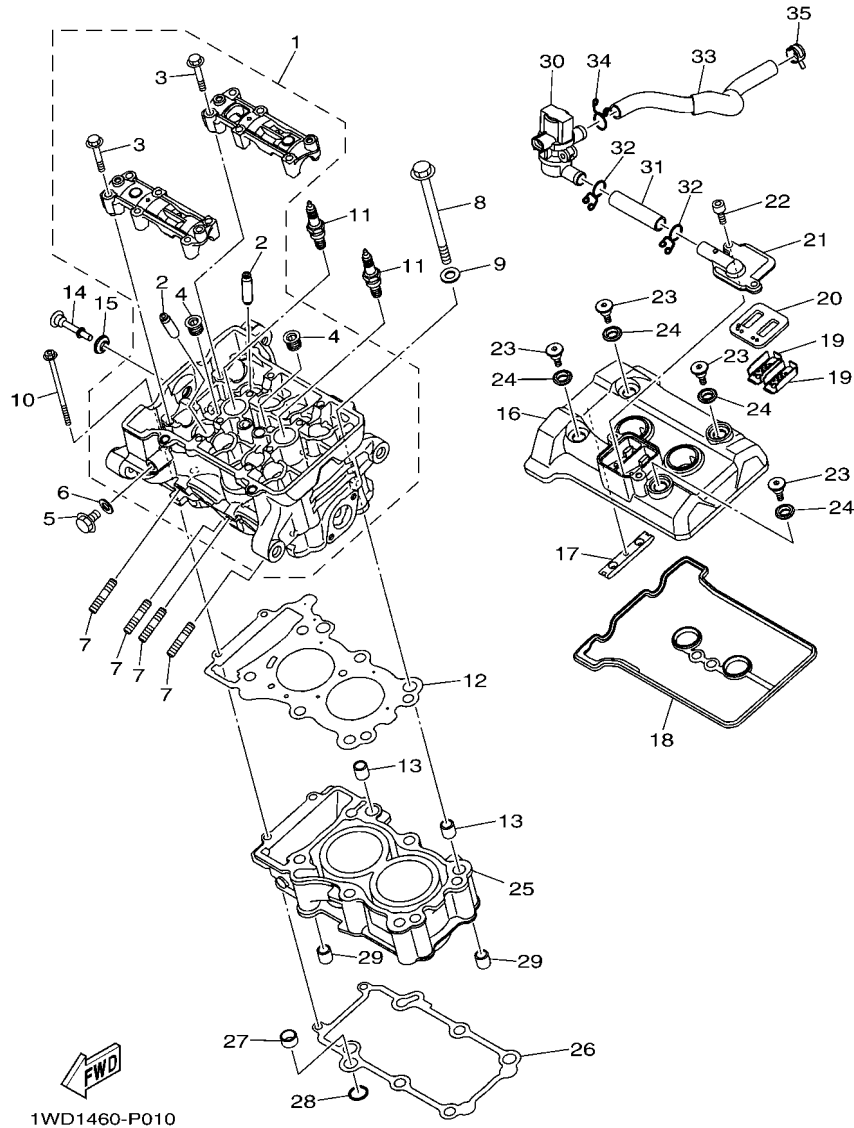
## CHASSIS

FRAME.....	22
FENDER.....	24
SIDE COVER.....	26
REAR ARM & SUSPENSION.....	28
STEERING.....	29
FRONT FORK.....	30
FUEL TANK.....	32
SEAT.....	34
FRONT WHEEL.....	35
FRONT BRAKE CALIPER.....	36
REAR WHEEL.....	37
REAR BRAKE CALIPER.....	39
STEERING HANDLE & CABLE.....	40
FRONT MASTER CYLINDER.....	41
STAND & FOOTREST.....	42
REAR MASTER CYLINDER.....	44
WINDSHIELD.....	45
COWLING 1.....	47
GENERATOR.....	50
STARTING MOTOR.....	51
FLASHER LIGHT.....	52

METER.....	53
HEADLIGHT.....	54
TAILLIGHT.....	55
HANDLE SWITCH & LEVER.....	56
ELECTRICAL 1.....	57
ELECTRICAL 2.....	59

## INDEX

NUMERICAL INDEX.....	61
----------------------	----



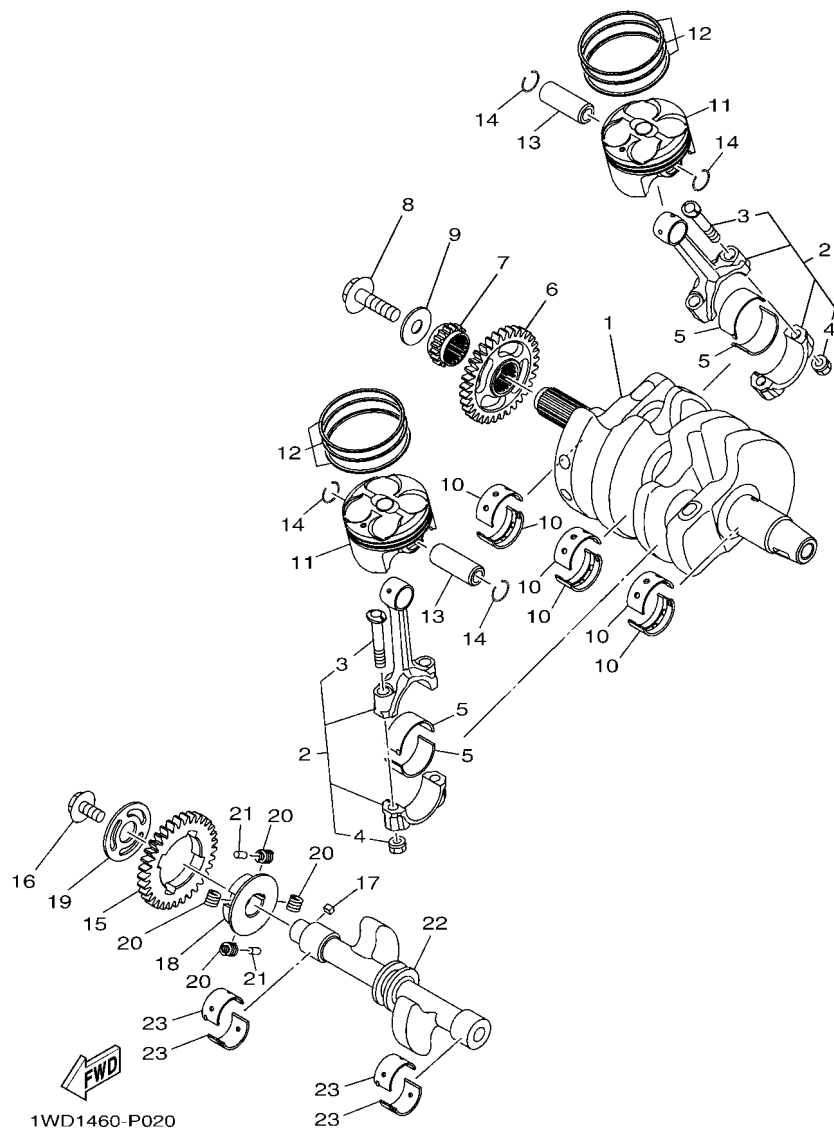
1WD1460-P010

FIG. 1 CYLINDER HEAD

REF. NO.	PART NO.	DESCRIPTION	B4PS	REMARKS
1	1WD-E1102-20	CYLINDER HEAD ASSY	1	
2	1WD-E1133-10	.GUIDE, VALVE 1	8	
3	90105-06027	.BOLT, FLANGE	12	
4	90340-12813	.PLUG, STRAIGHT SCREW	2	
5	95022-08012	BOLT, FLANGE	1	
6	90430-08119	GASKET	1	
7	95612-08625	BOLT, STUD	4	
8	1WD-E1361-00	BOLT, CYLINDER HOLDING 1	6	
9	90201-10845	WASHER, PLATE	6	
10	90110-06870	BOLT, HEXAGON SOCKET HEAD	2	
11	94700-00318	PLUG, SPARK (NGK R CR9E)	2	
12	1WD-E1181-00	GASKET, CYLINDER HEAD 1	1	
13	99530-14016	PIN, DOWEL	2	
14	90109-06898	BOLT	1	
15	1WD-E111G-00	RUBBER, MOUNT 1	1	
16	1WD-E1191-00	COVER, CYLINDER HEAD 1	1	MBL2
17	1WD-E2241-00	GUIDE, STOPPER 2	1	
18	1WD-E1193-00	GASKET, HEAD COVER 1	1	
19	5VY-1482K-00	PLATE	2	
20	1WD-E4890-00	REED VALVE ASSY	1	
21	1WD-E4899-00	CAP, CASE	1	
22	91332-06020	BOLT	2	
23	90109-06899	BOLT	4	
24	1WD-E111G-00	RUBBER, MOUNT 1	4	
25	1WD-E1311-10	CYLINDER 1	1	
26	1WD-E1351-00	GASKET, CYLINDER	1	
27	5NL-12564-00	PIPE, WATER	1	

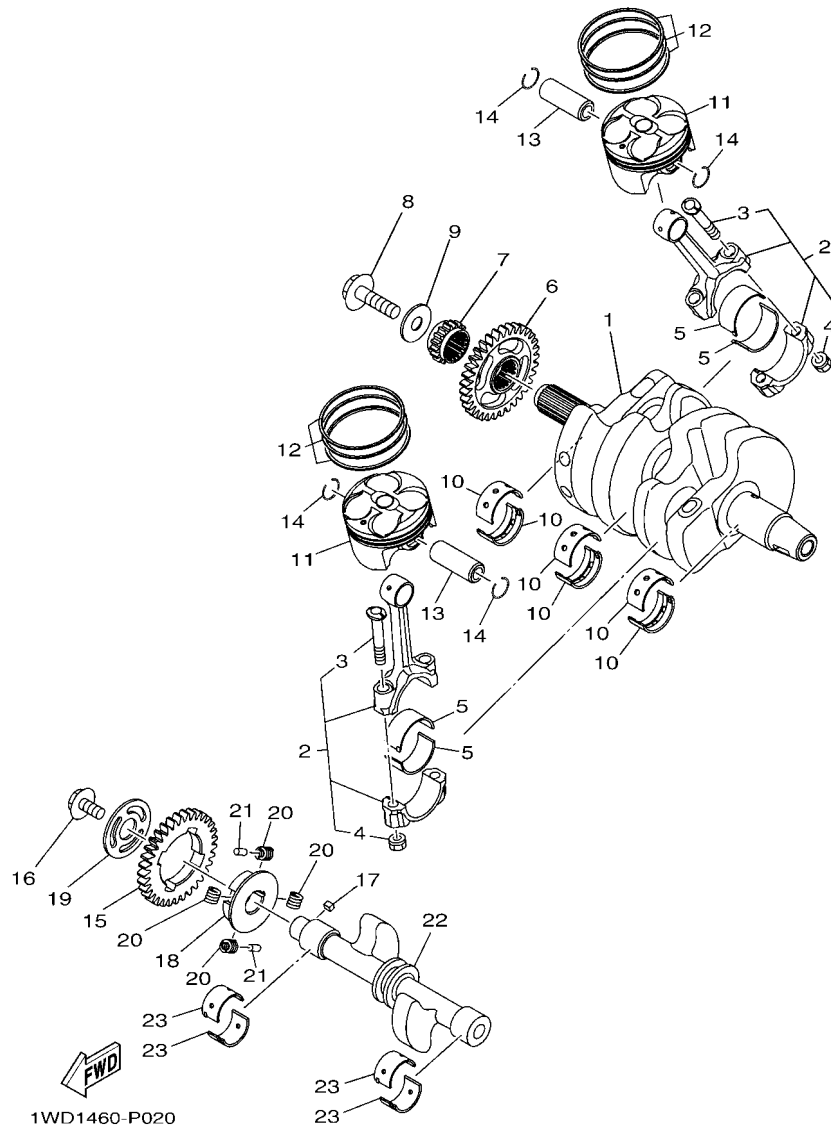


**FIG. 2 CRANKSHAFT & PISTON**



REF. NO.	PART NO.	DESCRIPTION	B4PS			REMARKS
1	1WD-E1411-00	CRANKSHAFT	1			UR
	1WD-11411-00	CRANKSHAFT	1			UR
2	1WD-11650-00	CONNECTING ROD ASSY	2			
3	5SL-11654-00	.BOLT, CONNECTING ROD	2			
4	90179-07652	.NUT	2			
5	1WD-11656-00	PLANE BEARING, CONNECTING ROD	4			UR BLUE
	1WD-11656-10	PLANE BEARING, CONNECTING ROD	4			UR BLACK
	1WD-11656-20	PLANE BEARING, CONNECTING ROD	4			UR BROWN
	1WD-11656-30	PLANE BEARING, CONNECTING ROD	4			UR GREEN
6	1WD-E1536-00	GEAR, DRIVE	1			
7	1WD-E1549-00	SPROCKET, CAM CHAIN	1			
8	90105-10883	BOLT, FLANGE	1			
9	90201-10848	WASHER, PLATE	1			
10	1WD-11416-00	PLANE BEARING, CRANKSHAFT 1	6			UR BLUE
	1WD-11416-10	PLANE BEARING, CRANKSHAFT 1	6			UR BLACK
	1WD-11416-20	PLANE BEARING, CRANKSHAFT 1	6			UR BROWN
	1WD-11416-30	PLANE BEARING, CRANKSHAFT 1	6			UR GREEN
	1WD-11416-40	PLANE BEARING, CRANKSHAFT 1	6			UR YELLOW
11	1WD-E1631-01	PISTON (STD)	2			
12	BS8-E1603-00	PISTON RING SET (STD)	2			
13	1WD-E1633-00	PIN, PISTON	2			
14	93450-16068	CIRCLIP	4			
15	1WD-E1531-00	GEAR, BALANCE WEIGHT	1			
16	90105-088F8	BOLT, FLANGE	1			
17	90282-04036	KEY, STRAIGHT	1			
18	1WD-E1496-00	BOSS, BUFFER	1			
19	90201-16812	WASHER, PLATE	1			



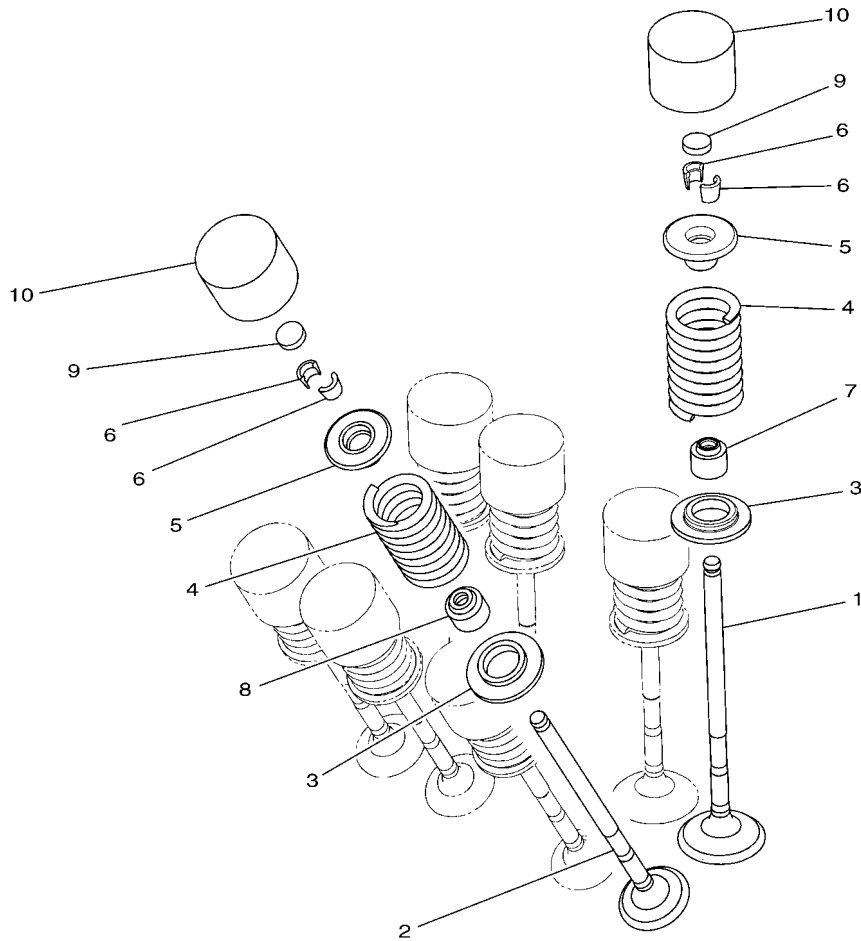


**FIG. 2 CRANKSHAFT & PISTON**

REF. NO.	PART NO.	DESCRIPTION	B4PS	REMARKS
20	90501-22800	SPRING, COMPRESSION	4	
21	93605-10090	PIN, DOWEL	2	
22	1WD-E1454-00	WEIGHT 1	1	
23	1WD-11413-00	METAL, BALANCE WEIGHT	4	UR BLUE
	1WD-11413-10	METAL, BALANCE WEIGHT	4	UR BLACK
	1WD-11413-20	METAL, BALANCE WEIGHT	4	UR BROWN
	1WD-11413-30	METAL, BALANCE WEIGHT	4	UR GREEN
	1WD-11413-40	METAL, BALANCE WEIGHT	4	UR YELLOW

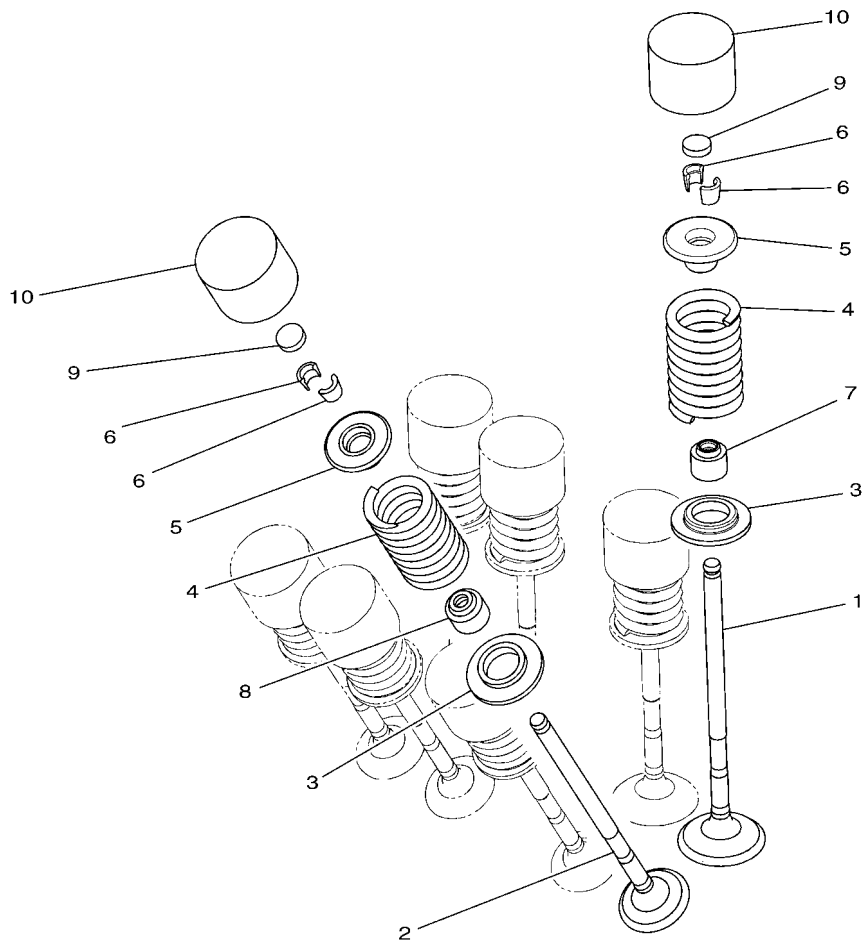


B1E1010-T030



**FIG. 3 VALVE**

REF. NO.	PART NO.	DESCRIPTION	B4PS				REMARKS
1	1WD-E2111-00	VALVE, INTAKE	4				
2	1WD-E2121-00	VALVE, EXHAUST	4				
3	1WD-E2126-00	SEAT, VALVE SPRING 2	8				
4	1WD-12113-00	SPRING, VALVE INNER	8				
5	1WD-E2117-00	RETAINER, VALVE SPRING	8				
6	3S0-E2118-00	LOCK, VALVE SPRING RETAINER	16				
7	BS8-E2119-00	SEAL, VALVE STEM	4				
8	1PA-E2119-00	SEAL, VALVE STEM	4				
9	1HX-12168-F0	PAD, ADJUSTING 2 (1.50)	8				UR
	1HX-12168-H1	PAD, ADJUSTING 2 (1.55)	8				UR
	1HX-12168-K1	PAD, ADJUSTING 2 (1.60)	8				UR
	1HX-12168-M1	PAD, ADJUSTING 2 (1.65)	8				UR
	1HX-12168-R1	PAD, ADJUSTING 2 (1.70)	8				UR
	1HX-12168-U1	PAD, ADJUSTING 2 (1.75)	8				UR
	1HX-12168-W1	PAD, ADJUSTING 2 (1.80)	8				UR
	1HX-12168-Y1	PAD, ADJUSTING 2 (1.85)	8				UR
	1HX-12169-11	PAD, ADJUSTING 2 (1.90)	8				UR
	1HX-12169-31	PAD, ADJUSTING 2 (1.95)	8				UR
	1HX-12169-50	PAD, ADJUSTING 2 (2.00)	8				UR
	1HX-12169-70	PAD, ADJUSTING 2 (2.05)	8				UR
	1HX-12169-90	PAD, ADJUSTING 2 (2.10)	8				UR
	1HX-12169-E0	PAD, ADJUSTING 2 (2.15)	8				UR
	1HX-12169-G0	PAD, ADJUSTING 2 (2.20)	8				UR
	1HX-12169-J0	PAD, ADJUSTING 2 (2.25)	8				UR
	1HX-12169-L0	PAD, ADJUSTING 2 (2.30)	8				UR
	1HX-12169-N0	PAD, ADJUSTING 2 (2.35)	8				UR
	1HX-12169-T0	PAD, ADJUSTING 2 (2.40)	8				UR

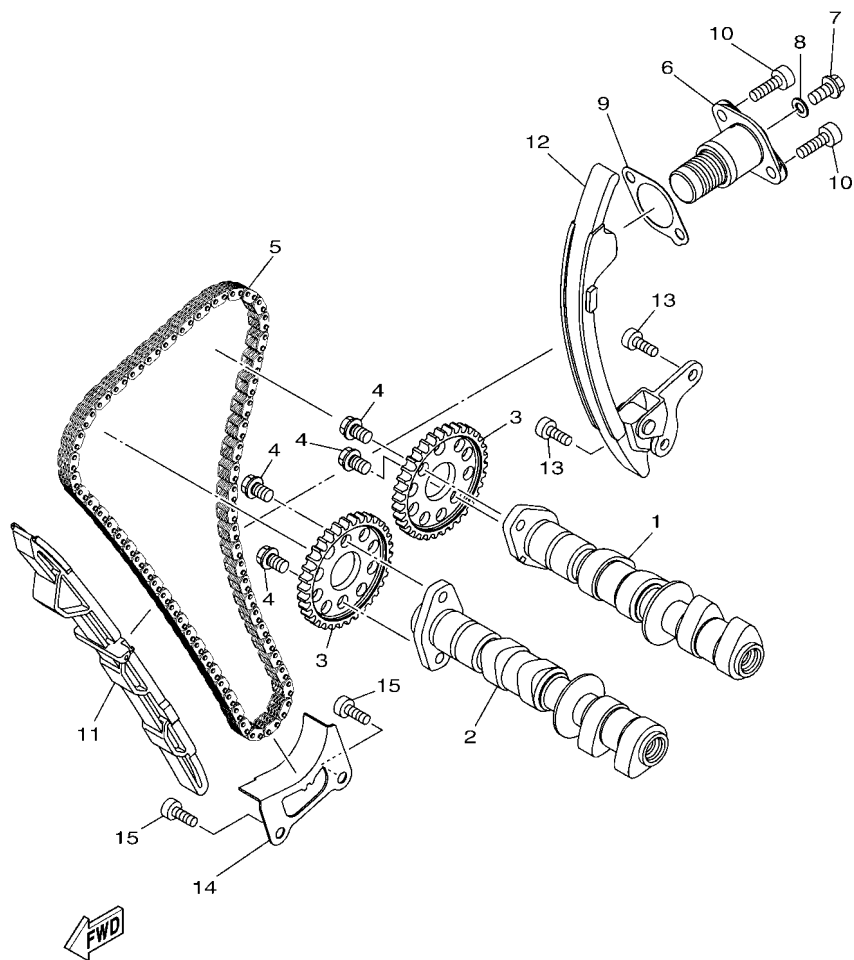


  
 B1E1010-T030

**FIG. 3 VALVE**

REF. NO.	PART NO.	DESCRIPTION	B4PS				REMARKS
10	1WD-E2153-11	LIFTER, VALVE	8				

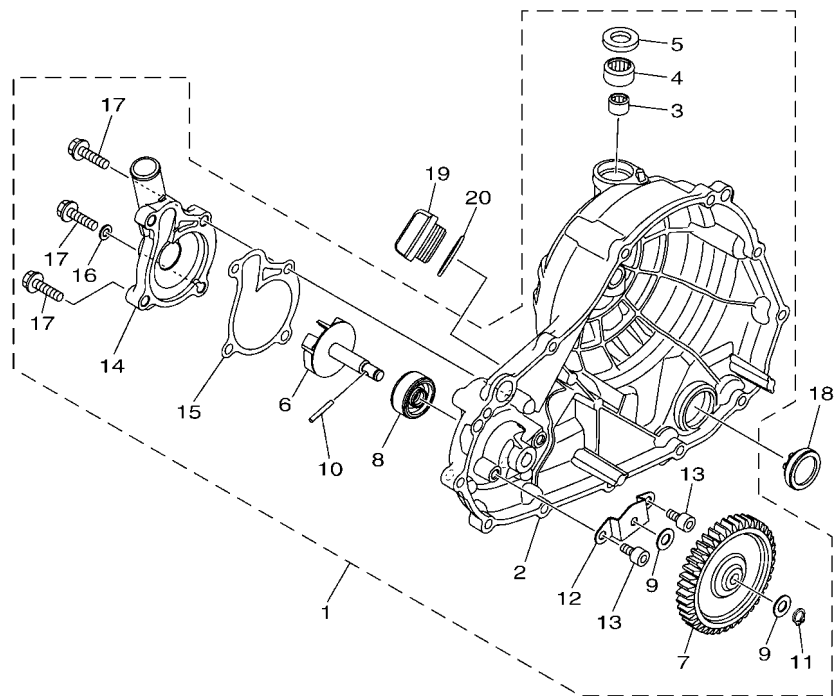
**FIG. 4 CAMSHAFT & CHAIN**



1WD1460-P040

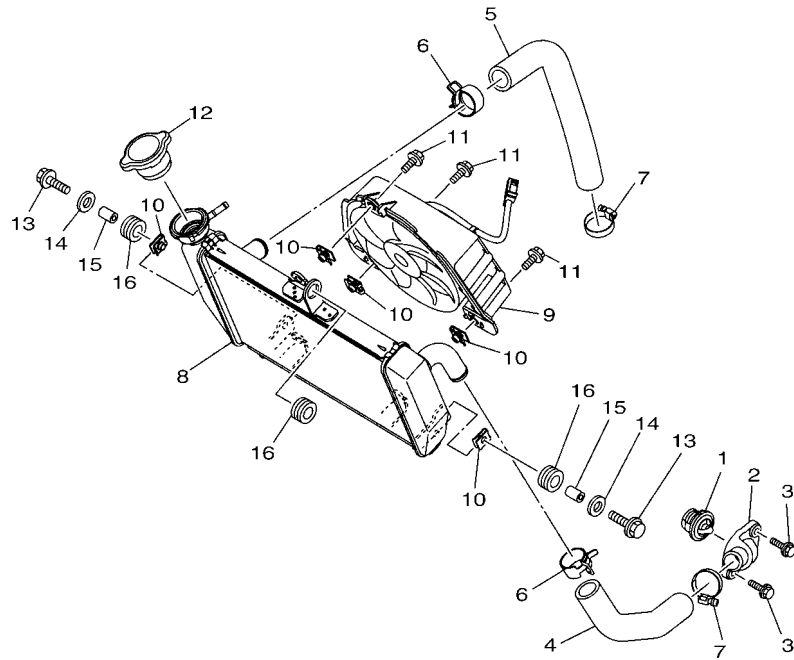
REF. NO.	PART NO.	DESCRIPTION	B4PS				REMARKS
1	1WD-E2170-01	CAMSHAFT ASSY 1	1				
2	1WD-E2180-01	CAMSHAFT ASSY 2	1				
3	1WD-E2176-00	SPROCKET, CAM CHAIN	2				
4	90105-07800	BOLT, FLANGE	4				
5	94568-K0118	CHAIN (98XRH2015-118P-M)	1				
6	1WD-12210-01	TENSIONER ASSY, CAM CHAIN	1				
7	95022-06008	BOLT, FLANGE	1				
8	90430-06014	GASKET	1				
9	1WD-E2213-00	GASKET, TENSIONER CASE	1				
10	91332-06020	BOLT	2				
11	1WD-E2251-00	DAMPER, CHAIN 1	1				
12	1WD-E2252-00	DAMPER, CHAIN 2	1				
13	90110-06161	BOLT, HEXAGON SOCKET HEAD	2				
14	1WD-E2256-00	COVER, CHAIN	1				
15	90110-06161	BOLT, HEXAGON SOCKET HEAD	2				

**FIG. 5 WATER PUMP**



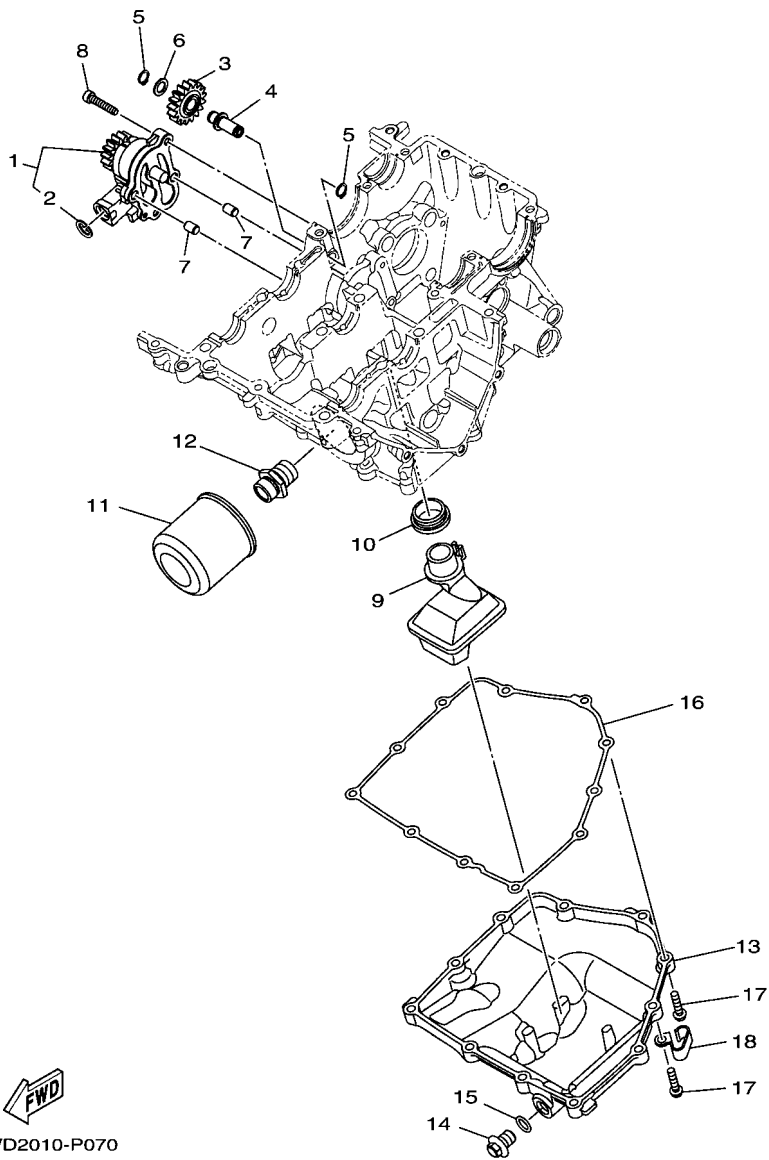
REF. NO.	PART NO.	DESCRIPTION	B4PS				REMARKS
1	1WD-E2420-00	WATER PUMP ASSY	1				
2	1WD-E5421-00	.COVER, CRANKCASE 2	1				MBL2
3	93317-11096	.BEARING	1				
4	93315-21570	.BEARING	1				
5	93102-15801	.OIL SEAL	1				
6	1WD-E2450-00	.IMPELLER SHAFT ASSY	1				
7	1WD-E2453-00	.GEAR	1				
8	33S-E2223-00	.SEAL	1				
9	33S-E2456-00	.WASHER	2				
10	1WD-E319L-00	.PIN, STRAIGHT	1				
11	99009-08400	.CIRCLIP	1				
12	1WD-E2681-00	.PLATE	1				
13	91312-06010	.BOLT, HEXAGON SOCKET HEAD	2				
14	1WD-E2422-00	.COVER, HOUSING	1				
15	1WD-E2428-00	.GASKET, HOUSING COVER 2	1				
16	90430-06014	.GASKET	1				
17	95022-06025	.BOLT, FLANGE	3				
18	2H7-15361-00	GAUGE, LEVEL	1				
19	1WD-E5362-00	PLUG, OIL LEVEL	1				
20	93210-27807	O-RING	1				

**FIG. 6 RADIATOR & HOSE**



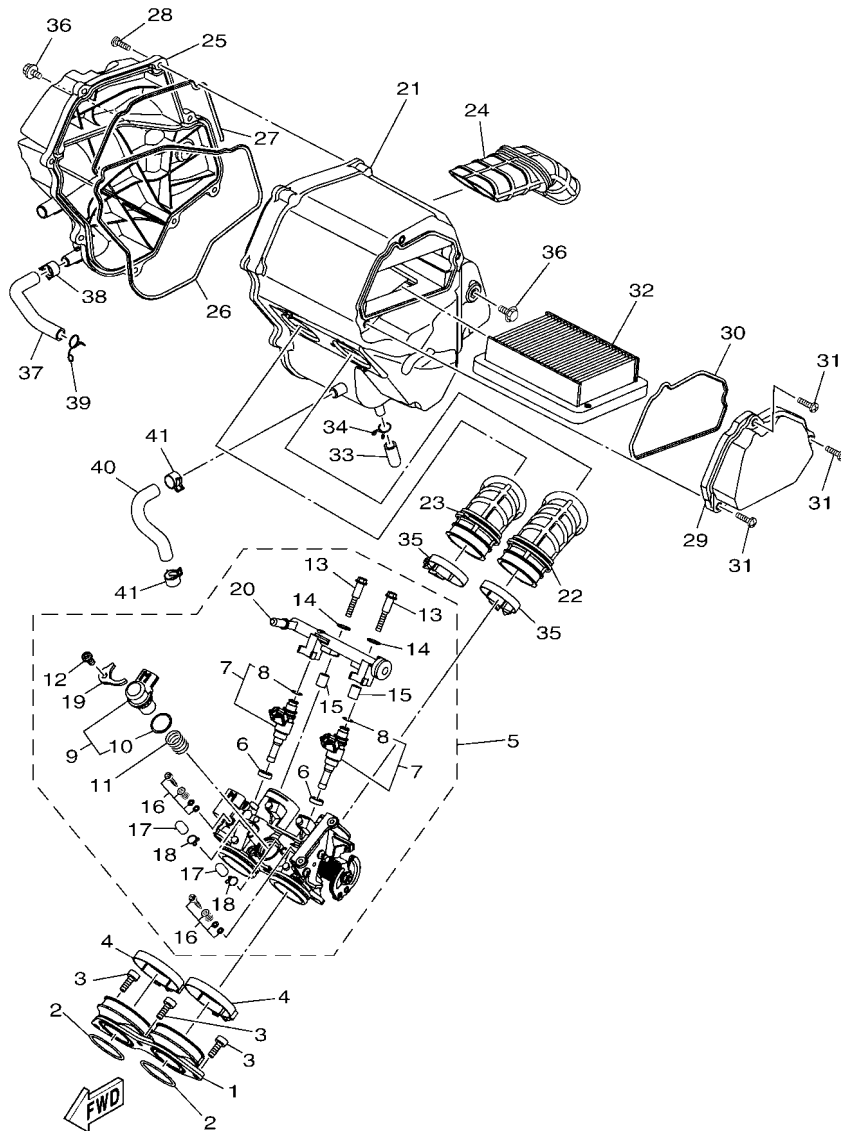
REF. NO.	PART NO.	DESCRIPTION	B4PS				REMARKS
1	5P0-12411-00	THERMOSTAT	1				
2	1WD-E2413-00	COVER, THERMOSTAT	1				
3	95022-06020	BOLT, FLANGE	2				
4	1WD-E2577-00	HOSE 2	1				
5	1WD-E2578-00	HOSE 3	1				
6	1WD-E2486-09	CLIP	2				
7	90450-28001	HOSE CLAMP ASSY	2				
8	1WD-E2461-00	RADIATOR COMP	1				
9	1WD-E2405-00	BLOWER ASSY	1				
10	1WD-E2671-00	NUT 1	5				
11	5YP-E2675-00	BOLT, BLOWER HOLDING	3				
12	5P0-E2590-00	CONDUCTION ASSY	1				
13	95827-06025	BOLT, FLANGE	2				
14	90201-06072	WASHER, PLATE	2				
15	90387-064W3	COLLAR	2				
16	90480-15808	GROMMET	3				

**FIG. 7 OIL PUMP**



1WD2010-P070

REF. NO.	PART NO.	DESCRIPTION	B4PS				REMARKS
1	1WD-E3300-01	OIL PUMP ASSY	1				
2	99009-15500	.CIRCLIP	1				
3	1WD-E3341-00	GEAR, OIL PUMP IDLE	1				
4	1WD-E3342-00	SHAFT, IDLE GEAR	1				
5	99009-10400	CIRCLIP	2				
6	90201-10119	WASHER, PLATE	1				
7	99530-08012	PIN, DOWEL	2				
8	91332-06030	BOLT	4				
9	1WD-E3410-00	STRAINER HOUSING ASSY	1				
10	1WD-E3415-00	SEAL, OIL STRAINER	1				
11	1WD-E3440-10	ELEMENT ASSY, OIL CLEANER	1				
12	90401-20011	BOLT, UNION	1				
13	1WD-E3417-00	COVER, STRAINER	1				
14	90340-12808	PLUG, STRAIGHT SCREW	1				
15	4YS-E1198-00	GASKET	1				
16	1WD-E3414-00	GASKET, STRAINER COVER	1				
17	95022-06025	BOLT, FLANGE	11				
18	90462-08810	CLAMP	1				

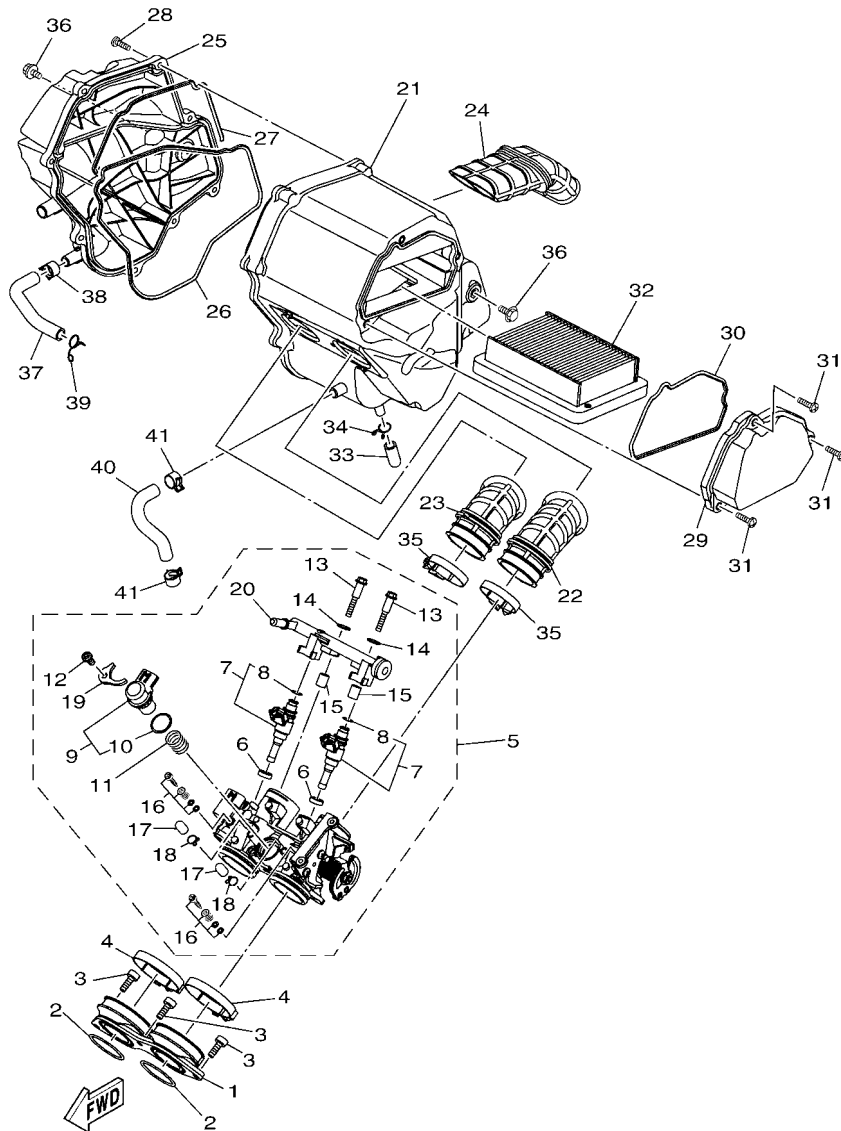


BS71460-U080

FIG. 8 INTAKE

REF. NO.	PART NO.	DESCRIPTION	B4PS				REMARKS
1	1WD-E3586-00	JOINT, CARBURETOR 1	1				
2	93210-39802	O-RING	2				
3	91332-06016	BOLT	3				
4	90450-55804	HOSE CLAMP ASSY	2				
5	1WD-E3750-01	THROTTLE BODY ASSY	1				
6	1WD-E3556-00	.GASKET, MANIFOLD	2				
7	1WD-E3761-00	.INJECTOR	2				
8	5PS-14147-00	.O-RING	1				
9	1WS-85801-00	.STEPPING MOTOR	1				
10	54P-E416A-00	.O-RING	1				
11	1WS-14335-00	.SPRING, PLUNGER	1				
12	98502-06012	.SCREW, PAN HEAD	1				
13	1WD-E3573-00	.BOLT 1	2				
14	8GL-13571-00	.WASHER	2				
15	8HG-14534-00	.COLLAR	2				
16	5JW-14104-00	.AIR SCREW SET	2				
17	895-14169-00	.CAP	2				
18	8A7-14139-00	.CLIP, PIPE	2				
19	1WD-E4243-00	.PLATE	1				
20	1WD-E3938-00	.PIPE	1				
21	1WD-E4411-00	CASE, AIR CLEANER 1	1				
22	1WD-E4469-00	FUNNEL, AIR	1				
23	1WD-E446C-00	FUNNEL 2	1				
24	1WD-E4437-00	DUCT	1				
25	1WD-E4412-00	CAP, CLEANER CASE 1	1				
26	1WD-E4452-00	SEAL	1				
27	1WD-E4457-00	SEAL	1				



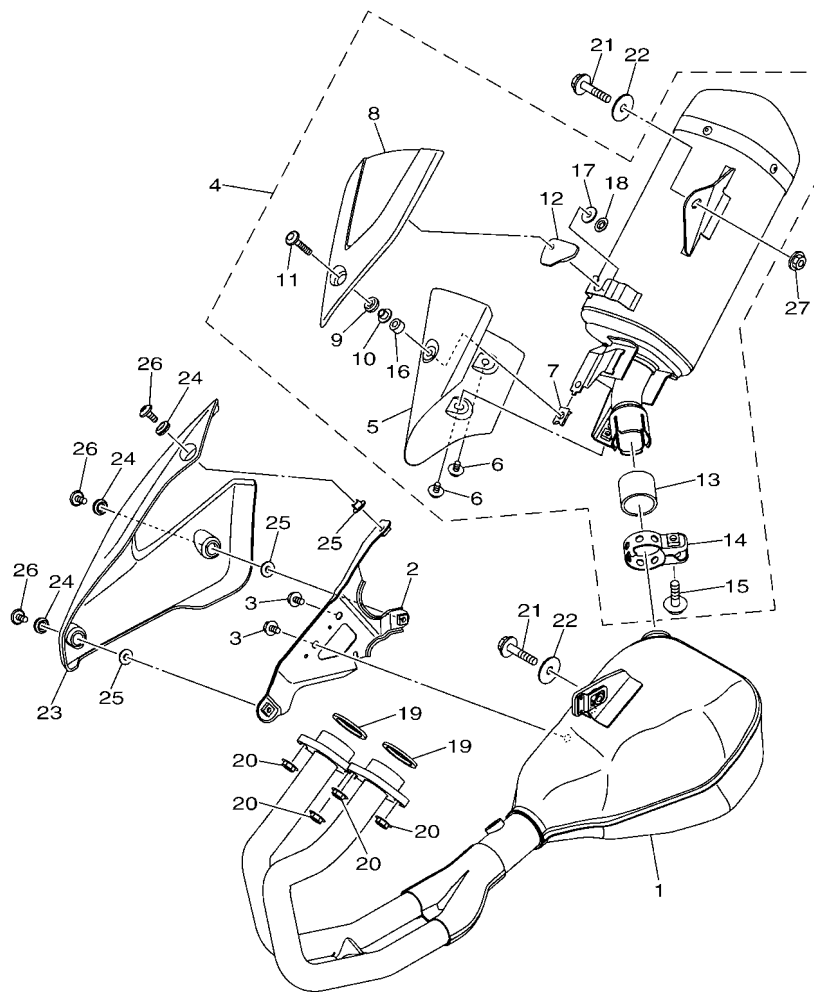


BS71460-U080

FIG. 8 INTAKE

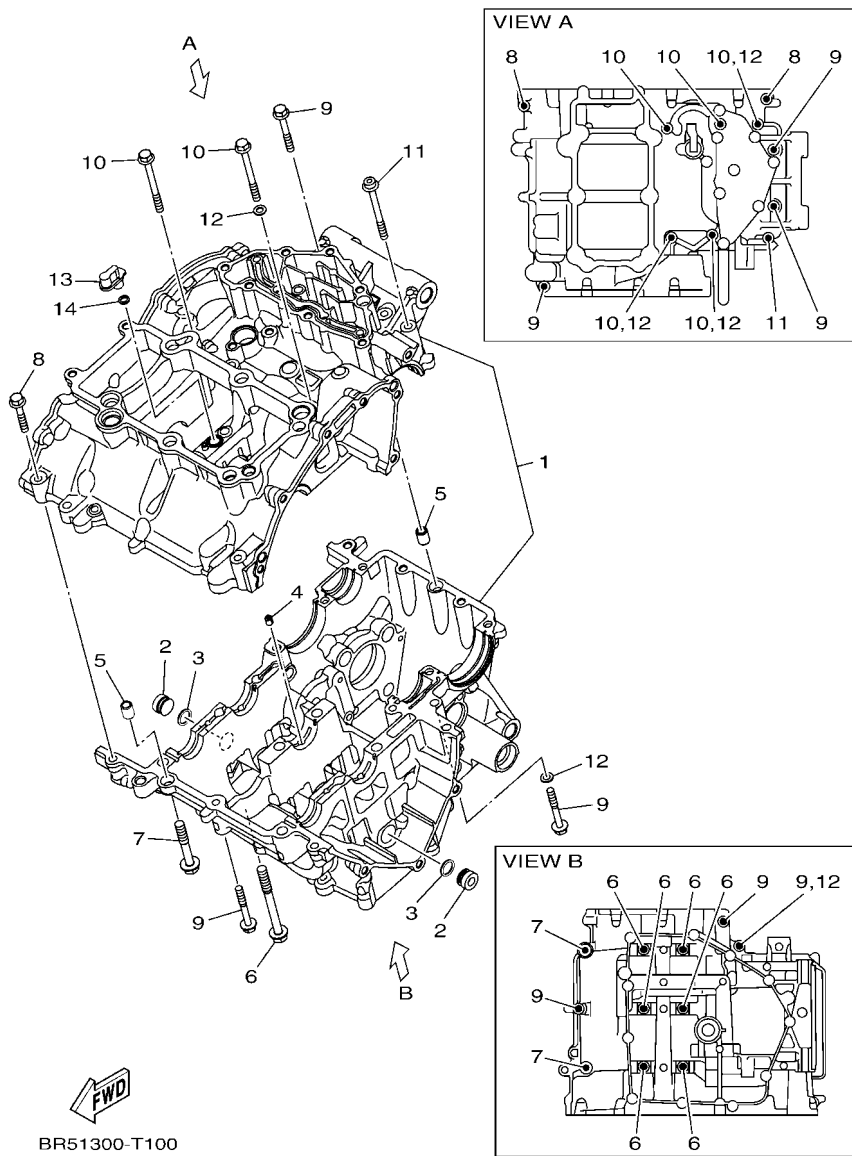
REF. NO.	PART NO.	DESCRIPTION	B4PS				REMARKS
28	97702-50025	SCREW, TAPPING	8				
29	1WD-E4422-00	CAP, CLEANER CASE 2	1				
30	1WD-E4462-00	SEAL	1				
31	98902-05020	SCREW, BIND	3				
32	1WD-E4451-00	ELEMENT, AIR CLEANER	1				
33	52B-E443E-00	PIPE, DRAIN	1				
34	90467-110A3	CLIP	1				
35	54P-E3474-00	BAND	2				
36	95822-06010	BOLT, FLANGE	2				
37	1WD-E3543-01	HOSE, AIR	1				
38	90467-13802	CLIP	1				
39	90467-12052	CLIP	1				
40	1WD-E5373-01	PIPE, BREATHER	1				
41	90467-13802	CLIP	2				

**FIG. 9 EXHAUST**



1WD1460-P090

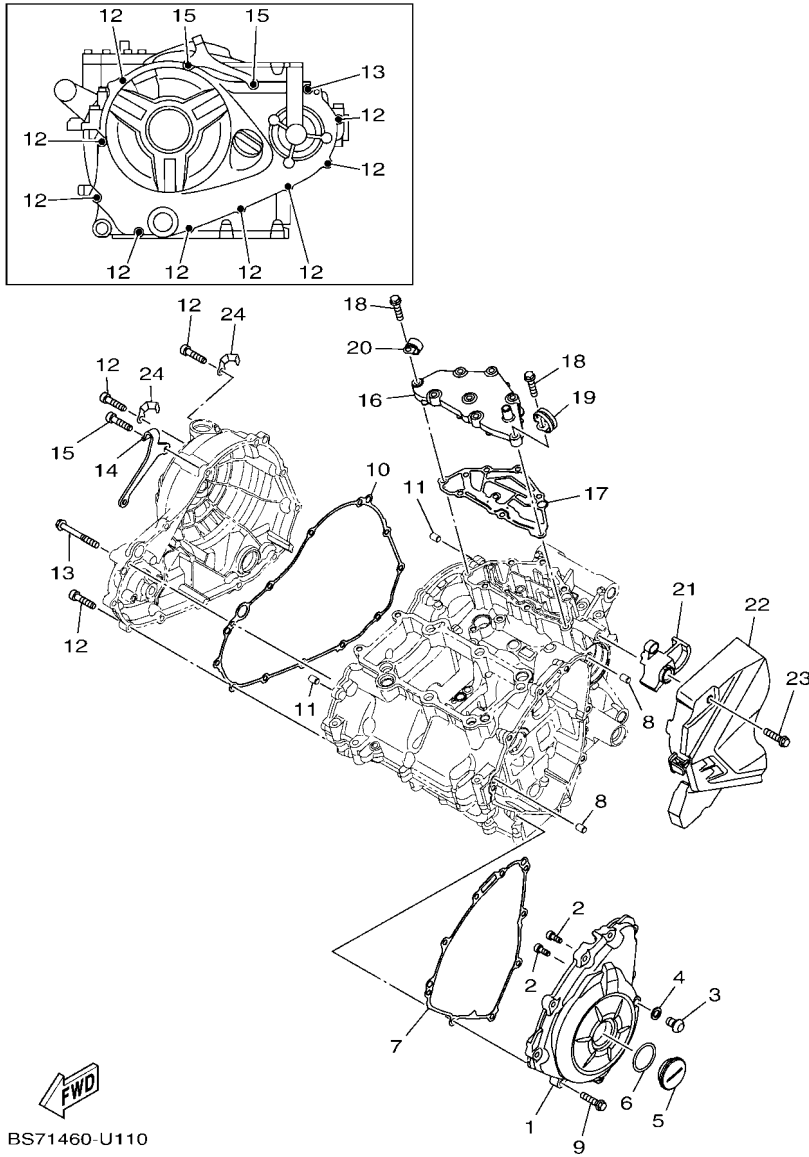
REF. NO.	PART NO.	DESCRIPTION	B4PS				REMARKS
1	BS7-E4602-00	EXHAUST PIPE COMP.	1				
2	1WD-E473L-00	BRACKET 3	1				
3	95027-06010	BOLT, FLANGE	2				
4	1WD-E4710-00	MUFFLER ASSY 1	1				
5	1WD-E4758-00	.PROTECTOR, SILENCER	1				
6	90111-06802	.BOLT,HEX. SOCKET BUTTON	2				
7	90183-06818	.NUT, SPRING	1				
8	1WD-E4728-00	.PROTECTOR, MUFFLER 2	1				
9	90480-12581	.GROMMET	1				
10	90387-06273	.COLLAR	1				
11	90111-06847	.BOLT,HEX. SOCKET BUTTON	1				
12	1WD-E4763-00	.SPACER	1				
13	54D-E4714-00	.GASKET, MUFFLER	1				
14	1WD-E4715-00	.BAND, MUFFLER	1				
15	95027-08035	.BOLT, FLANGE	1				
16	90387-068N4	.COLLAR	1				
17	90201-06088	.WASHER, PLATE	1				
18	90183-06011	.NUT, SPRING	1				
19	1WD-E4613-00	GASKET, EXHAUST PIPE	2				
20	95707-08500	NUT, FLANGE	4				
21	90105-088G7	BOLT, FLANGE	2				
22	90201-08612	WASHER, PLATE	2				
23	1WD-E4628-00	PROTECTOR, EXHAUST PIPE	1				
24	90480-12581	GROMMET	3				
25	90387-087L0	COLLAR	3				
26	90111-06152	BOLT,HEX. SOCKET BUTTON	3				
27	95607-08200	NUT, SELF-LOCKING	1				



**FWD**  
BR51300-T100

**FIG. 10 CRANKCASE**

REF. NO.	PART NO.	DESCRIPTION	B4PS				REMARKS
1	1WD-E5150-10	CRANKCASE ASSY	1				
2	90338-16262	PLUG	2				
3	93210-12803	O-RING	2				
4	1WD-E5148-00	NOZZLE 2	1				
5	99530-10014	PIN, DOWEL	2				
6	90105-088F7	BOLT, FLANGE	6				
7	90105-088G0	BOLT, FLANGE	2				
8	95812-06035	BOLT, FLANGE	2				
9	95812-06045	BOLT, FLANGE	6				
10	95812-06065	BOLT, FLANGE	5				
11	90110-06882	BOLT, HEXAGON SOCKET HEAD	1				
12	90430-06014	GASKET	4				
13	1WD-E5155-00	NOZZLE 3	1				
14	93210-068F7	O-RING	1				

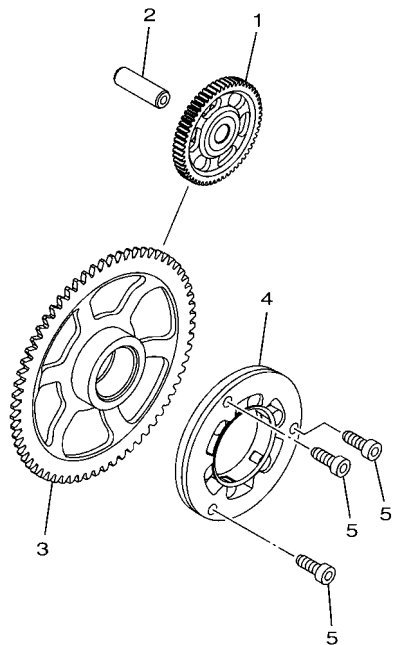


BS71460-U110

FIG. 11 CRANKCASE COVER 1

REF. NO.	PART NO.	DESCRIPTION	B4PS	REMARKS
1	1WD-E5411-00	COVER, CRANKCASE 1	1	MBL2
2	91312-05012	BOLT, HEXAGON SOCKET HEAD	2	
3	92014-08012	BOLT, BUTTON HEAD	1	
4	90430-08143	GASKET	1	
5	90340-32819	PLUG, STRAIGHT SCREW	1	
6	93210-32816	O-RING	1	
7	1WD-E5451-00	GASKET, CRANKCASE COVER 1	1	
8	99530-08012	PIN, DOWEL	2	
9	95022-06025	BOLT, FLANGE	9	
10	1WD-E5461-00	GASKET, CRANKCASE COVER 2	1	
11	99530-08012	PIN, DOWEL	2	
12	95022-06025	BOLT, FLANGE	9	
13	95022-06050	BOLT, FLANGE	1	
14	1WD-E5441-00	HOLDER, CLUTCH CABLE	1	
15	91312-06025	BOLT, HEXAGON SOCKET HEAD	2	
16	1WD-E5413-10	COVER	1	
17	1WD-E5462-00	GASKET, CRANKCASE COVER 3	1	
18	95022-06025	BOLT, FLANGE	8	
19	90462-08819	CLAMP	1	
20	90462-08806	CLAMP	1	
21	BS7-E5377-00	GUIDE, INLET	1	
22	1WD-E5418-00	COVER, CHAIN CASE	1	
23	95022-06025	BOLT, FLANGE	2	
24	90462-08225	CLAMP	2	

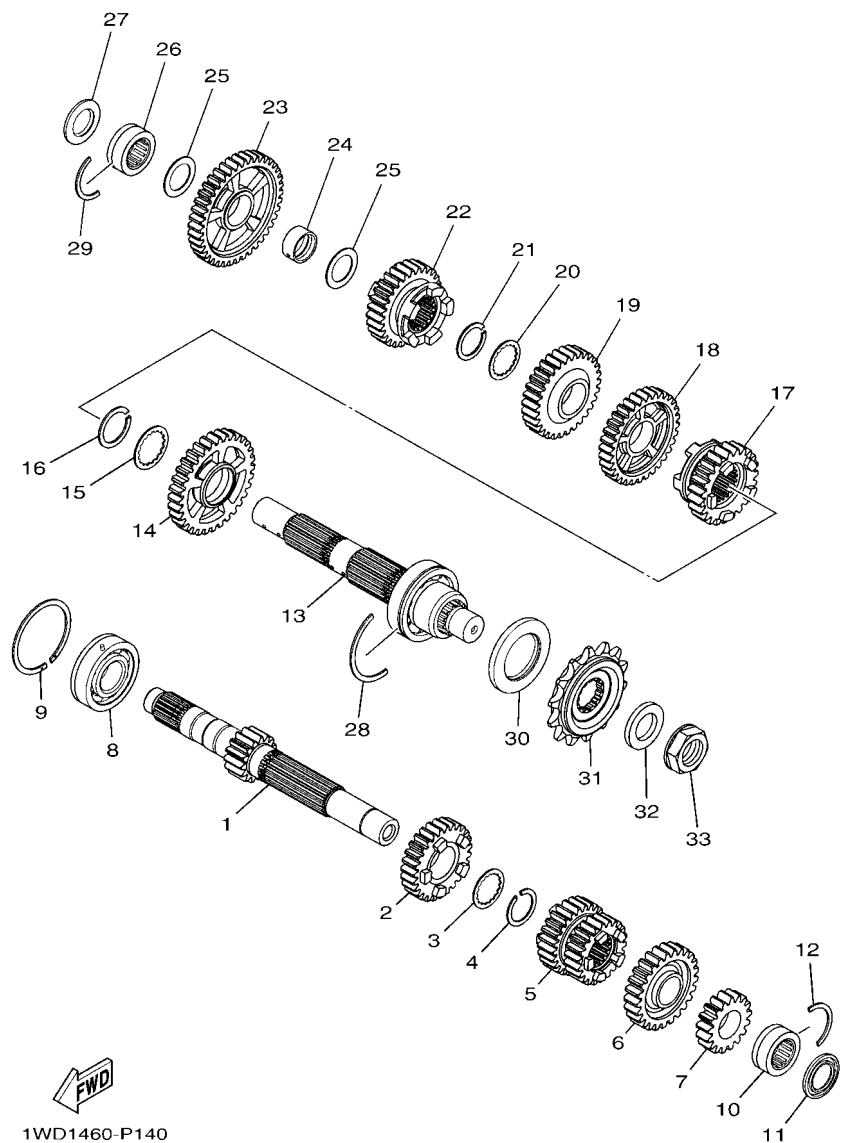
**FIG. 12 STARTER CLUTCH**



REF. NO.	PART NO.	DESCRIPTION	B4PS				REMARKS
1	1WD-E5514-00	GEAR 2	1				
2	44D-E5521-00	SHAFT 1	1				
3	1WD-E5515-10	GEAR 3	1				
4	1WD-E5580-00	STARTER CLUTCH OUTER ASSY	1				
5	90110-06161	BOLT, HEXAGON SOCKET HEAD	3				
-----							
-----							
-----							
-----							
-----							
-----							
-----							
-----							
-----							
-----							



**FIG. 14 TRANSMISSION**



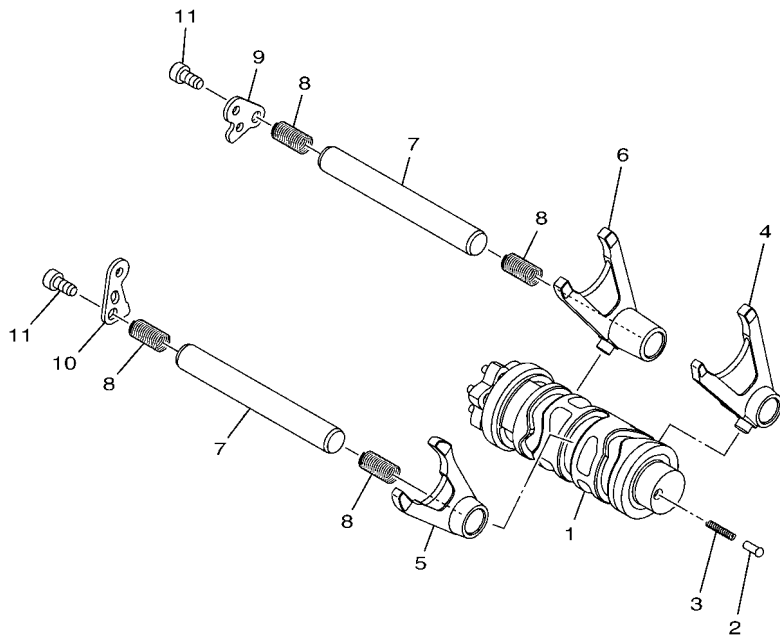
1WD1460-P140

REF. NO.	PART NO.	DESCRIPTION	B4PS				REMARKS
1	1WD-E7411-00	AXLE, MAIN (15T)	1				
2	1WD-E7151-00	GEAR, 5TH PINION (27T)	1				
3	90214-22008	WASHER, CLAW	1				
4	93440-24200	CIRCLIP	1				
5	1WD-E7131-00	GEAR, 3RD PINION (22T/25T)	1				
6	1WD-E7161-00	GEAR, 6TH PINION (25T)	1				
7	1WD-E7121-00	GEAR, 2ND PINION (17T)	1				
8	93306-255Y9	BEARING	1				
9	93440-52009	CIRCLIP	1				
10	93311-420Y3	BEARING	1				
11	93101-20802	OIL SEAL	1				
12	278-17425-00	CIRCLIP 2	1				
13	1WD-E7402-00	DRIVE AXLE ASSY	1				
14	1WD-E7221-00	GEAR, 2ND WHEEL (32T)	1				
15	90209-25011	WASHER	1				
16	93440-28184	CIRCLIP	1				
17	1WD-E7261-00	GEAR, 6TH WHEEL (23T)	1				
18	1WD-E7231-00	GEAR, 3RD WHEEL (32T)	1				
19	1WD-E7241-00	GEAR, 4TH WHEEL (30T)	1				
20	90214-22008	WASHER, CLAW	1				
21	93440-24200	CIRCLIP	1				
22	1WD-E7251-00	GEAR, 5TH WHEEL (28T)	1				
23	1WD-E7211-00	GEAR, 1ST WHEEL (40T)	1				
24	90387-20814	COLLAR	1				
25	90201-20276	WASHER, PLATE (T=1.0)	2				
26	93311-420Y3	BEARING	1				
27	93101-20802	OIL SEAL	1				

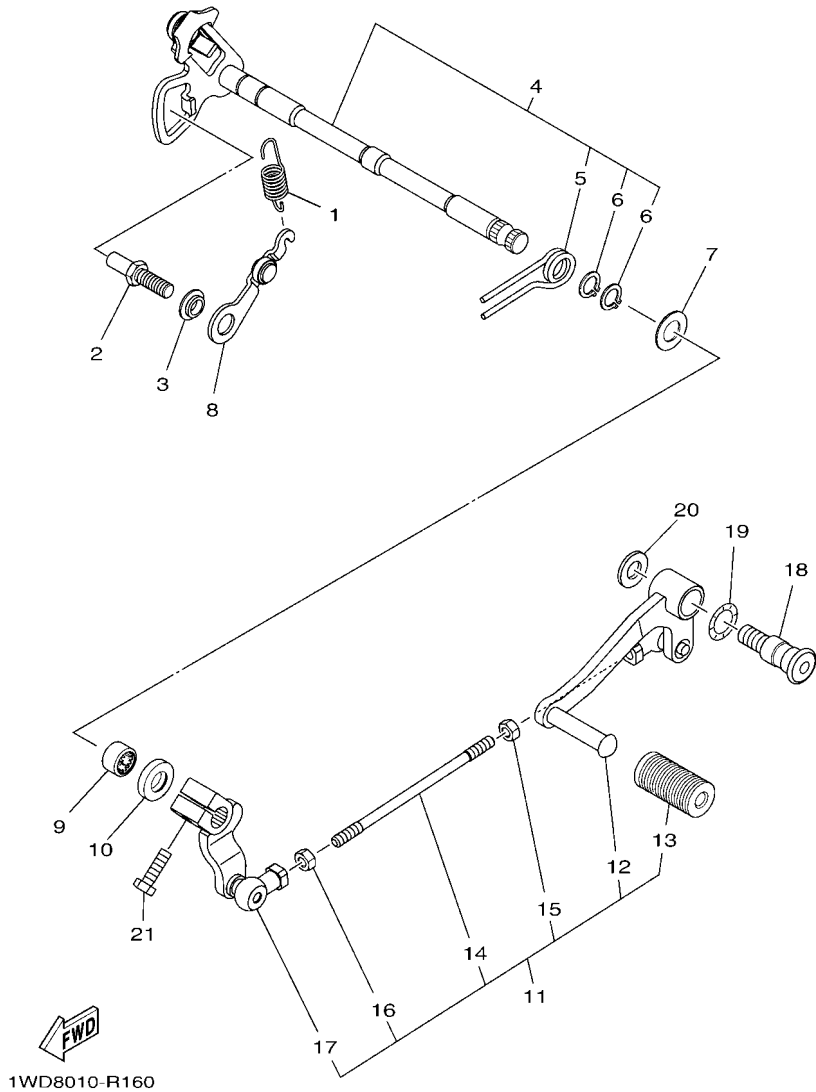




**FIG. 15 SHIFT CAM & FORK**



REF. NO.	PART NO.	DESCRIPTION	B4PS				REMARKS
1	1WD-E8540-10	SHIFT CAM ASSY	1				
2	5TP-E8542-00	POINT, NEUTRAL	1				
3	90501-06022	SPRING, COMPRESSION	1				
4	1WD-E8511-00	FORK, SHIFT 1	1				
5	1WD-E8512-00	FORK, SHIFT 2	1				
6	1WD-E8513-00	FORK, SHIFT 3	1				
7	1WD-E8531-00	BAR, SHIFT FORK GUIDE 1	2				
8	90501-080A2	SPRING, COMPRESSION	4				
9	1WD-E8536-00	STOPPER, SHIFT BAR	1				
10	1WD-E8562-00	PLATE, STOPPER 2	1				
11	90110-06182	BOLT, HEXAGON SOCKET HEAD	2				



**FIG. 16 SHIFT SHAFT**

REF. NO.	PART NO.	DESCRIPTION	B4PS				REMARKS
1	1WD-E8337-00	SPRING	1				
2	1WD-E8127-10	STOPPER, SCREW	1				
3	1WD-E8175-00	SPACER	1				
4	1WD-E8101-00	SHIFT SHAFT ASSY	1				
5	90508-29806	.SPRING, TORSION	1				
6	99009-12400	.CIRCLIP	2				
7	90201-127E1	WASHER, PLATE	1				
8	1WD-E8140-00	STOPPER LEVER ASSY	1				
9	93317-11295	BEARING	1				
10	93102-12891	OIL SEAL	1				
11	1WD-E8110-00	SHIFT PEDAL ASSY	1				
12	1WD-E8111-00	.PEDAL, SHIFT	1				
13	1EG-E8113-01	.COVER, SHIFT PEDAL	1				
14	1WD-E8115-00	.ROD, SHIFT	1				
15	90170-06023	.NUT	1				
16	95302-06600	.NUT, HEXAGON	1				
17	1WD-E8112-00	.ARM, SHIFT	1				
18	BS8-F7261-00	SHAFT	1				
19	90206-14001	WASHER, WAVE	1				
20	90201-10021	WASHER, PLATE	1				
21	97012-06020	BOLT	1				

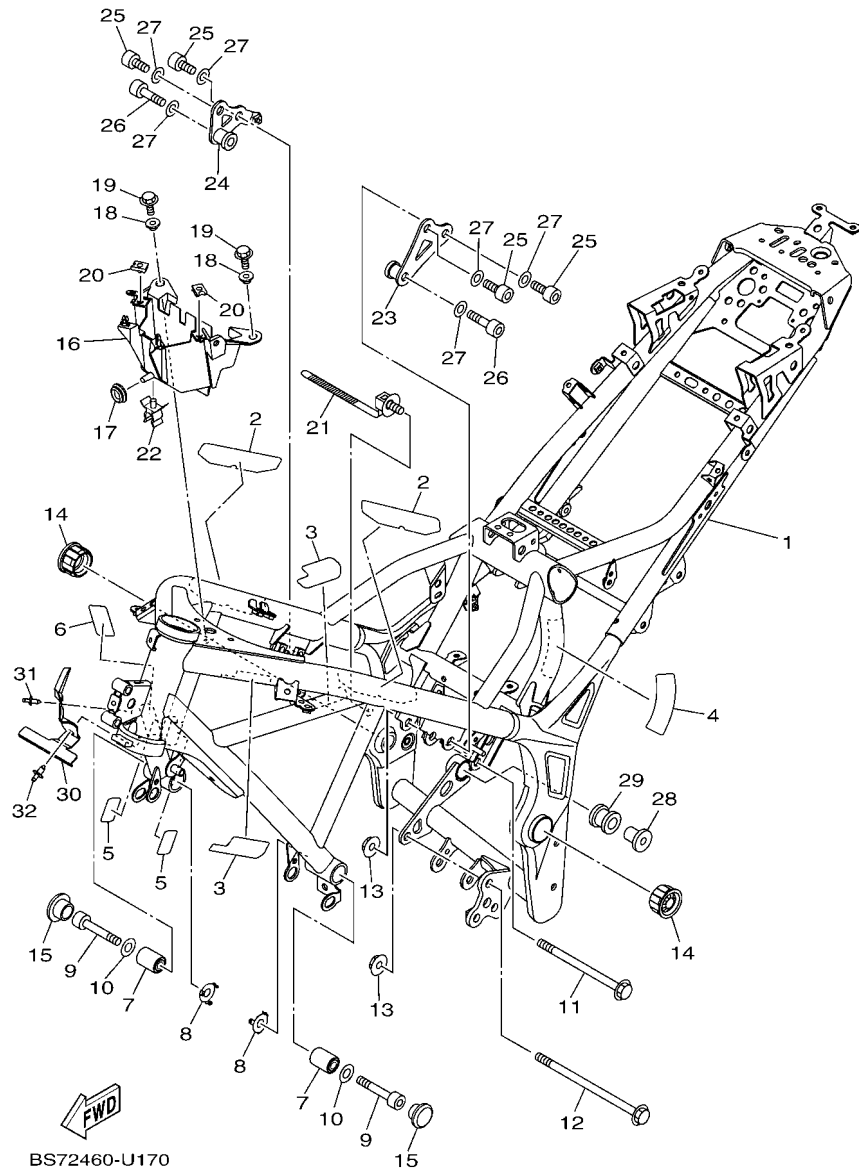
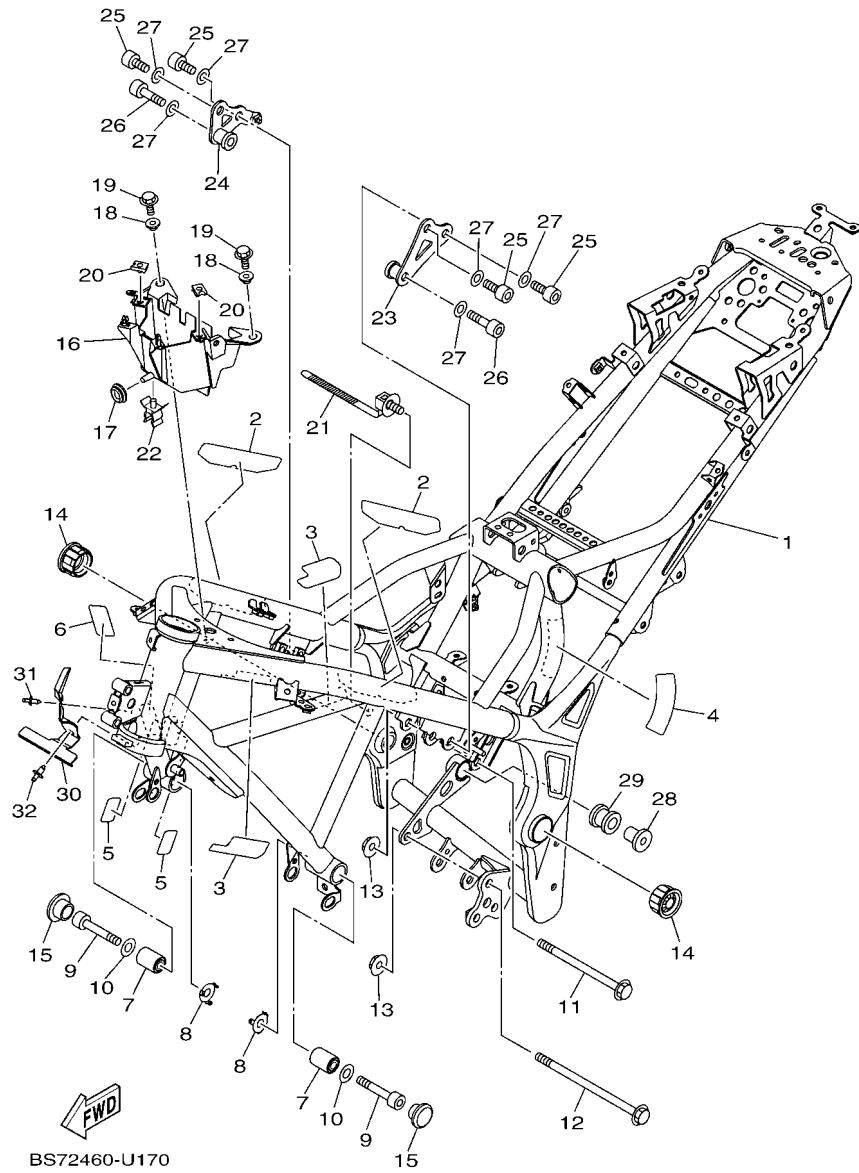


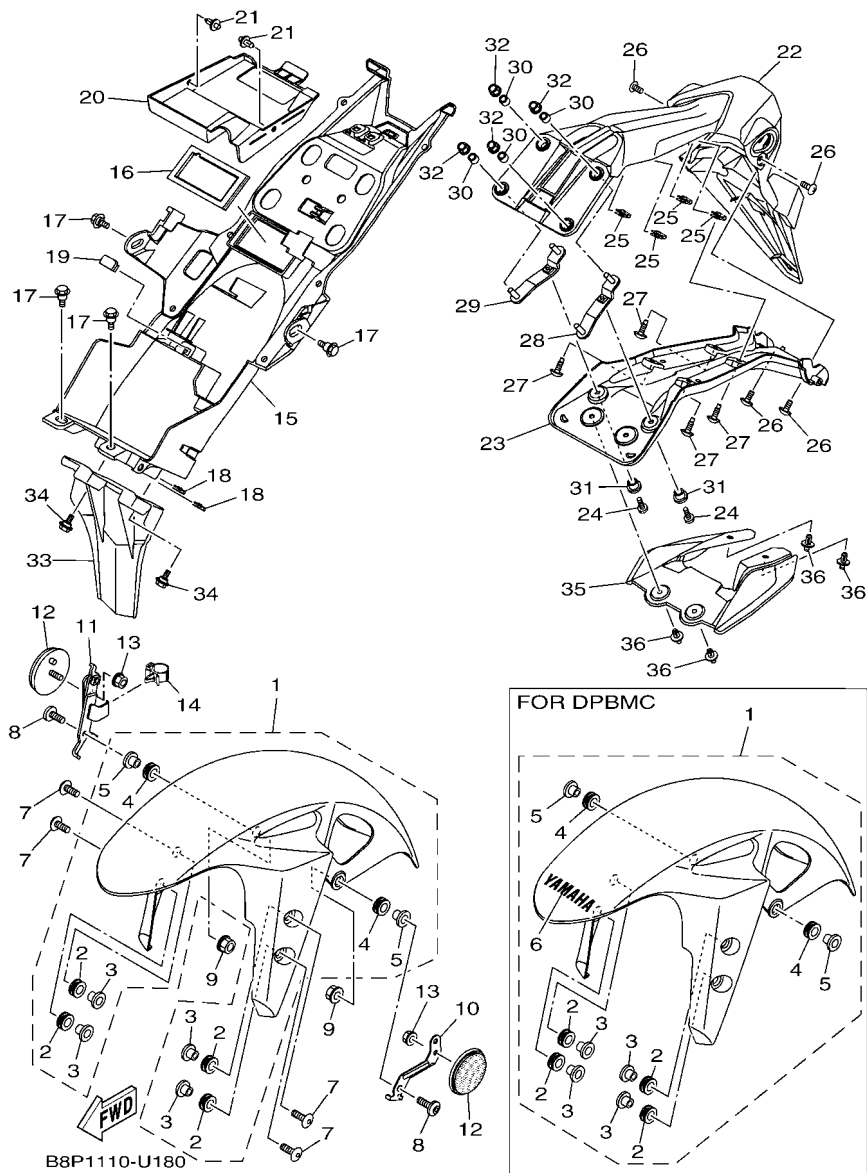
FIG. 17 FRAME

REF. NO.	PART NO.	DESCRIPTION	B4PS	REMARKS
1	1WD-F1110-12	FRAME COMP.	1	MBL2
2	1WD-F112C-00	DAMPER 2	2	
3	1WD-F117G-00	PROTECTOR	2	
4	1WD-F1652-00	PROTECTOR	1	
5	1WD-F193A-00	PROTECTOR	2	
6	5D9-F414G-00	SEAL	1	
7	90388-10816	DAMPER	2	
8	1WD-F191B-00	PLATE 1	2	
9	91317-10060	BOLT,HEX.SOCKET HEAD	2	
10	90201-10854	WASHER, PLATE	2	
11	90105-10889	BOLT, FLANGE	1	
12	90105-10891	BOLT, FLANGE	1	
13	90179-10805	NUT	2	
14	1WD-F135F-00	COVER	2	
15	90338-23801	PLUG	2	
16	1WD-F1171-00	BOX	1	
17	90480-13398	GROMMET	1	
18	90387-07819	COLLAR	2	
19	95022-06014	BOLT, FLANGE	2	
20	90183-06818	NUT, SPRING	2	
21	90464-30009	CLAMP	1	
22	90464-12015	CLAMP	1	
23	1WD-F122A-00	STAY 1	1	
24	1WD-F122B-00	STAY 2	1	
25	91317-10020	BOLT,HEX.SOCKET HEAD	4	
26	91317-10045	BOLT,HEX.SOCKET HEAD	2	
27	92907-10600	WASHER, PLATE	6	



**FIG. 17 FRAME**

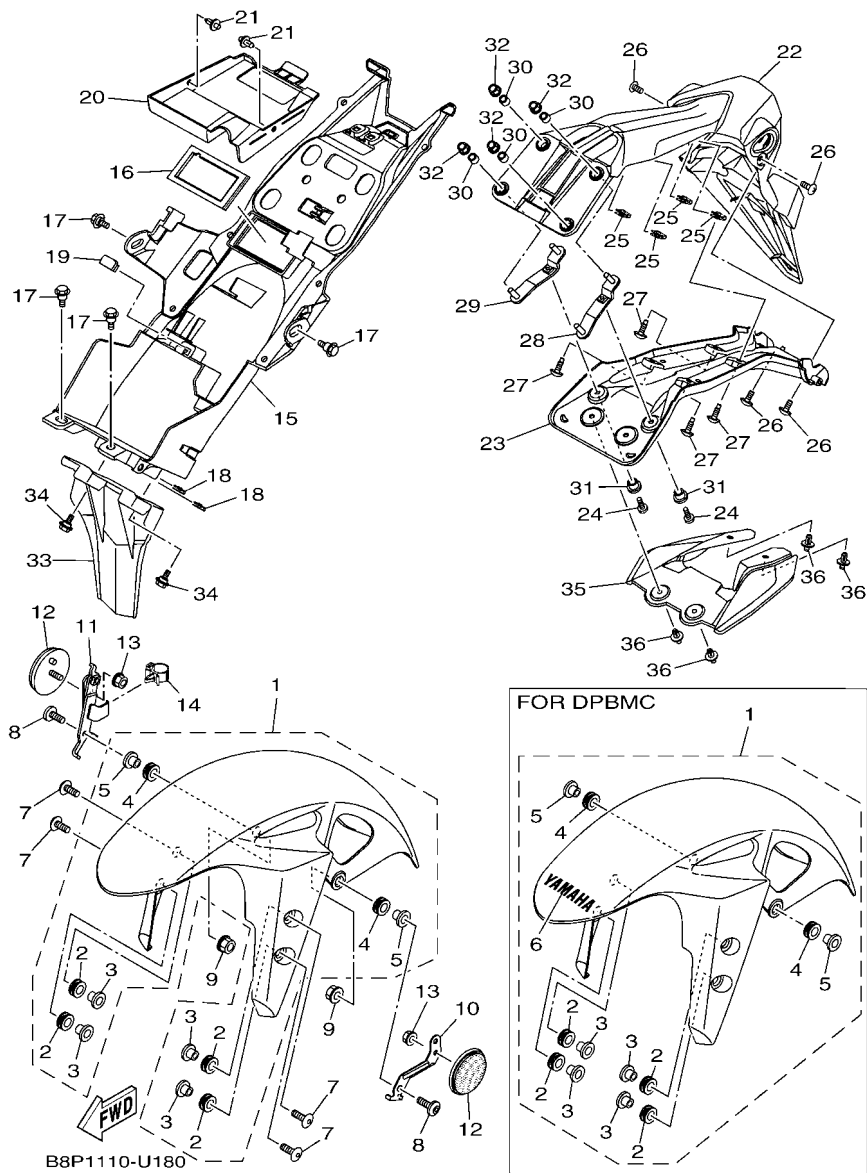
REF. NO.	PART NO.	DESCRIPTION	B4PS				REMARKS
28	90387-08813	COLLAR	1				
29	5TP-E4747-00	DAMPER, MUFFLER	1				
30	BS7-F612N-00	BRACKET 5	1				
31	90269-05008	RIVET	1				
32	90269-07007	RIVET	1				
-----							
-----							
-----							
-----							
-----							
-----							
-----							
-----							
-----							
-----							
-----							
-----							



**FIG. 18 FENDER**

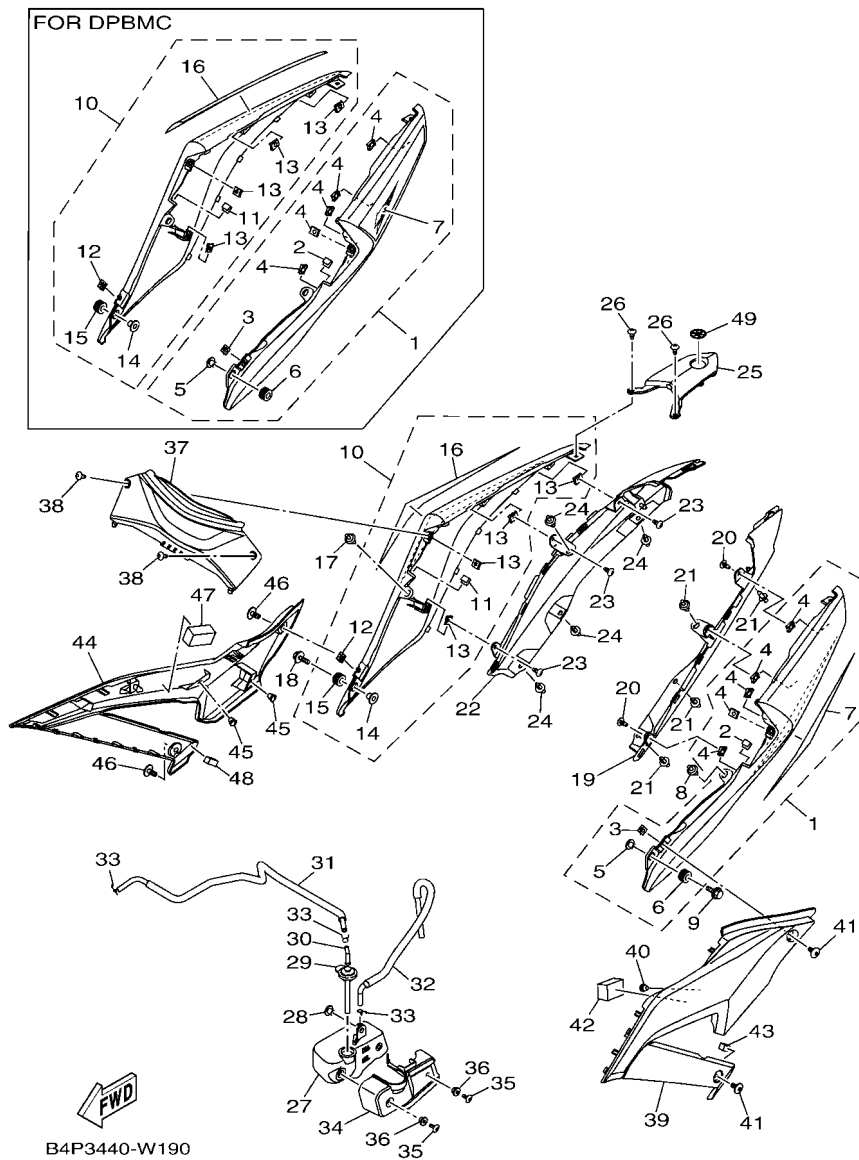
REF. NO.	PART NO.	DESCRIPTION	B4PS	REMARKS
1	BS7-XF151-20-P6	FENDER, FRONT	1	MBNM3 FOR DPBMC
	BS7-XF151-10-P8	FENDER, FRONT	1	FOR CM6
2	90480-12808	.GROMMET	4	
3	90387-06899	.COLLAR	4	
4	90480-12808	.GROMMET	2	
5	90387-06899	.COLLAR	2	
6	1WD-F153E-50	.EMBLEM, YAMAHA	1	FOR DPBMC
7	90111-06137	BOLT,HEX. SOCKET BUTTON	4	
8	90111-06847	BOLT,HEX. SOCKET BUTTON	2	
9	95702-06500	NUT, FLANGE	2	
10	B5L-F113J-00	BRACKET, REFLECTOR 1	1	
11	B5L-F113K-01	BRACKET, REFLECTOR 2	1	
12	2FC-H5111-00	REFLECTOR, 1	2	
13	95702-05500	NUT, FLANGE	2	
14	90464-16006	CLAMP	1	
15	1WD-F1611-02	FENDER, REAR	1	
16	1WD-F1669-00	SEAL	1	
17	90109-063F1	BOLT	4	
18	90183-05076	NUT, SPRING	2	
19	1WD-F16A2-00	SEAL, 2	1	
20	1WD-F163E-00	COVER, REAR FENDER 2	1	
21	90269-06816	RIVET	2	
22	1WD-F1629-01	GUARD, MUD	1	
23	1WD-F1617-00	BRACKET, FENDER	1	
24	90111-05021	BOLT,HEX. SOCKET BUTTON	2	
25	90183-050A7	NUT, SPRING	4	
26	97707-50016	SCREW, TRUSS HEAD TAPPING	4	

FIG. 18 FENDER



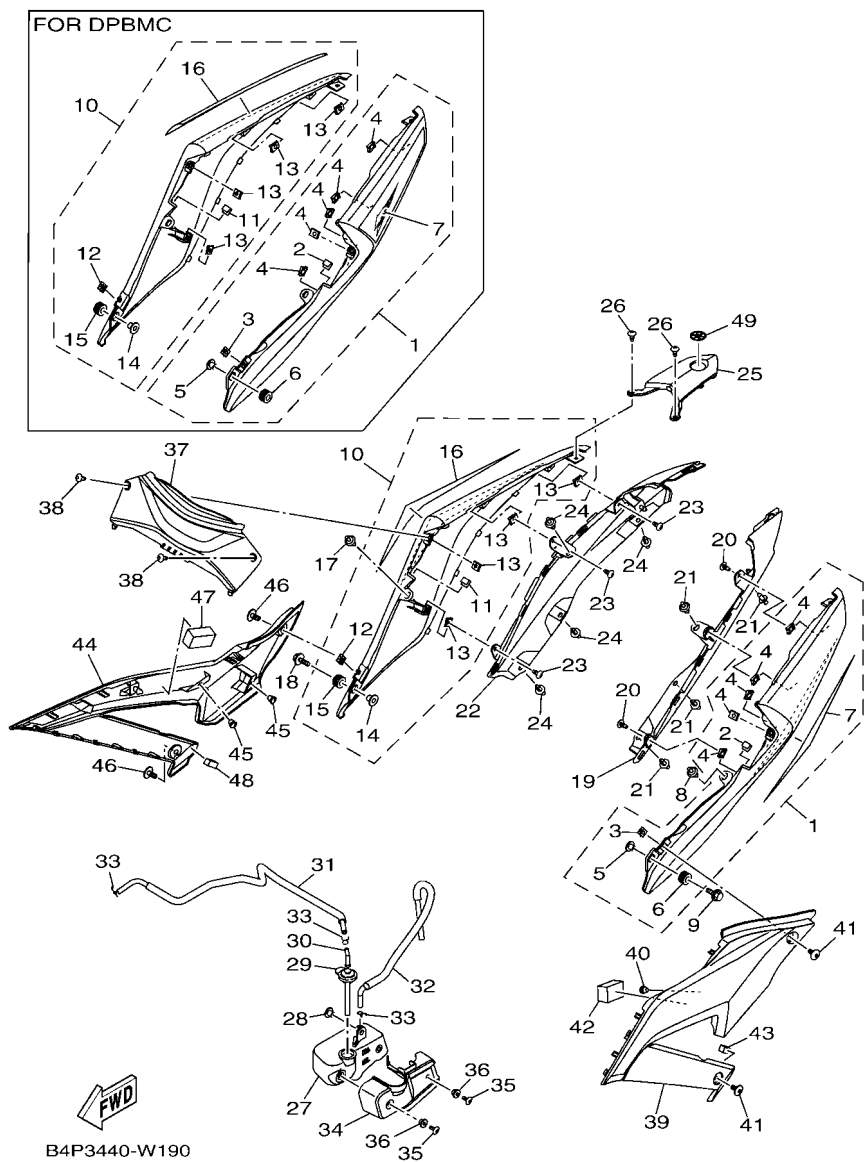
REF. NO.	PART NO.	DESCRIPTION	B4PS	REMARKS
27	90111-05018	BOLT,HEX. SOCKET BUTTON	4	
28	1WD-F1688-00	BRACKET, REAR STAY	1	
29	1WD-F1689-00	BRACKET, REAR STAY 2	1	
30	90387-066J9	COLLAR	4	
31	90387-068L9	COLLAR	2	
32	95602-06200	NUT, SELF-LOCKING	4	
33	1WD-F1621-00	FLAP	1	
34	90109-05003	BOLT	2	
35	1WD-F163A-00	COVER, REAR FENDER 1	1	
36	90269-06816	RIVET	4	

**FIG. 19 SIDE COVER**



REF. NO.	PART NO.	DESCRIPTION	B4PS	REMARKS
1	1WD-XF171-00-P9	COVER, SIDE 1	1	MBNM3 FOR DPBMC
	1WD-XF171-00-PB	COVER, SIDE 1	1	FOR CM6
2	31B-F8307-00	.SEAL	1	
3	90183-050A7	.NUT, SPRING	1	
4	90183-05807	.NUT, SPRING	5	
5	90387-06899	.COLLAR	1	
6	90480-12808	.GROMMET	1	
7	BS7-F173E-20	.GRAPHIC 1	1	UR FOR DPBMC
	BS7-F173E-50	.GRAPHIC 1	1	UR FOR CM6
8	90269-06816	RIVET	1	
9	90119-06810	BOLT, WITH WASHER	1	
10	1WD-XF172-00-P9	COVER, SIDE 2	1	MBNM3 FOR DPBMC
	1WD-XF172-00-PB	COVER, SIDE 2	1	FOR CM6
11	31B-F8307-00	.SEAL	1	
12	90183-050A7	.NUT, SPRING	1	
13	90183-05807	.NUT, SPRING	4	
14	90387-06899	.COLLAR	1	
15	90480-12808	.GROMMET	1	
16	BS7-F173F-20	.GRAPHIC 2	1	UR FOR DPBMC
	BS7-F173F-50	.GRAPHIC 2	1	UR FOR CM6
17	90269-06816	RIVET	1	
18	90119-06810	BOLT, WITH WASHER	1	
19	1WD-F171L-00	MOLE, SIDE COVER 1	1	
20	97707-50016	SCREW, TRUSS HEAD TAPPING	2	
21	90269-06816	RIVET	4	
22	1WD-F171M-00	MOLE, SIDE COVER 2	1	
23	97707-50016	SCREW, TRUSS HEAD TAPPING	3	

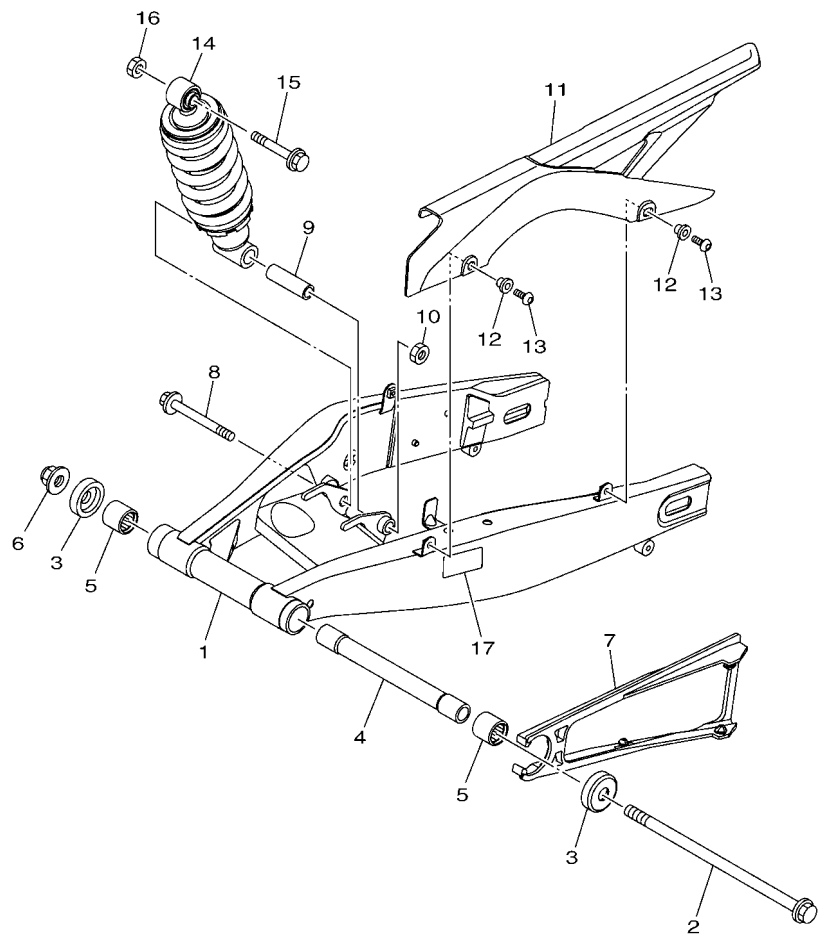
FIG. 19 SIDE COVER



REF. NO.	PART NO.	DESCRIPTION	B4PS	REMARKS
24	90269-06816	RIVET	4	
25	1WD-F171N-00	MOLE, SIDE COVER 3	1	
26	97707-50016	SCREW, TRUSS HEAD TAPPING	2	
27	1WD-F1871-01	TANK, RECOVERY	1	
28	90387-06857	COLLAR	1	
29	1WD-F1875-01	CAP	1	
30	3C1-F1828-00	ELBOW	1	
31	1WD-F1816-02	PIPE 1	1	
32	1WD-F1817-01	PIPE 2	1	
33	90467-08003	CLIP	3	
34	BS7-F172W-00	COVER	1	
35	90111-05003	BOLT,HEX. SOCKET BUTTON	2	
36	90560-06244	SPACER	2	
37	1WD-F1731-00-P8	COVER, SIDE 3	1	MBNM3 FOR DPBMC
	1WD-F1731-00-P7	COVER, SIDE 3	1	SM12 FOR CM6
38	90160-05810	SCREW, ROUND TAPPING	2	
39	BS7-F171E-00	COVER, SIDE 5	1	
40	90338-06018	PLUG	1	
41	90111-05003	BOLT,HEX. SOCKET BUTTON	2	
42	90520-30805	DAMPER, PLATE	1	
43	90520-10850	DAMPER, PLATE	1	
44	BS7-F171X-00	COVER, SIDE 6	1	
45	90338-06018	PLUG	2	
46	90111-05003	BOLT,HEX. SOCKET BUTTON	2	
47	90520-30805	DAMPER, PLATE	1	
48	90520-10850	DAMPER, PLATE	1	
49	B17-F836B-30	TUNING FORK MARK	1	



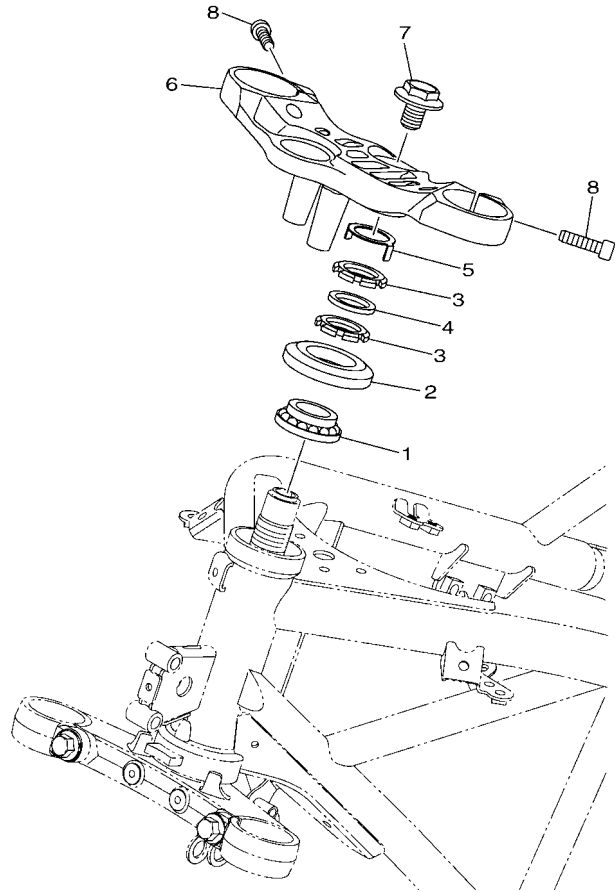
**FIG. 20 REAR ARM & SUSPENSION**



**FWD**  
B5L1422-U200

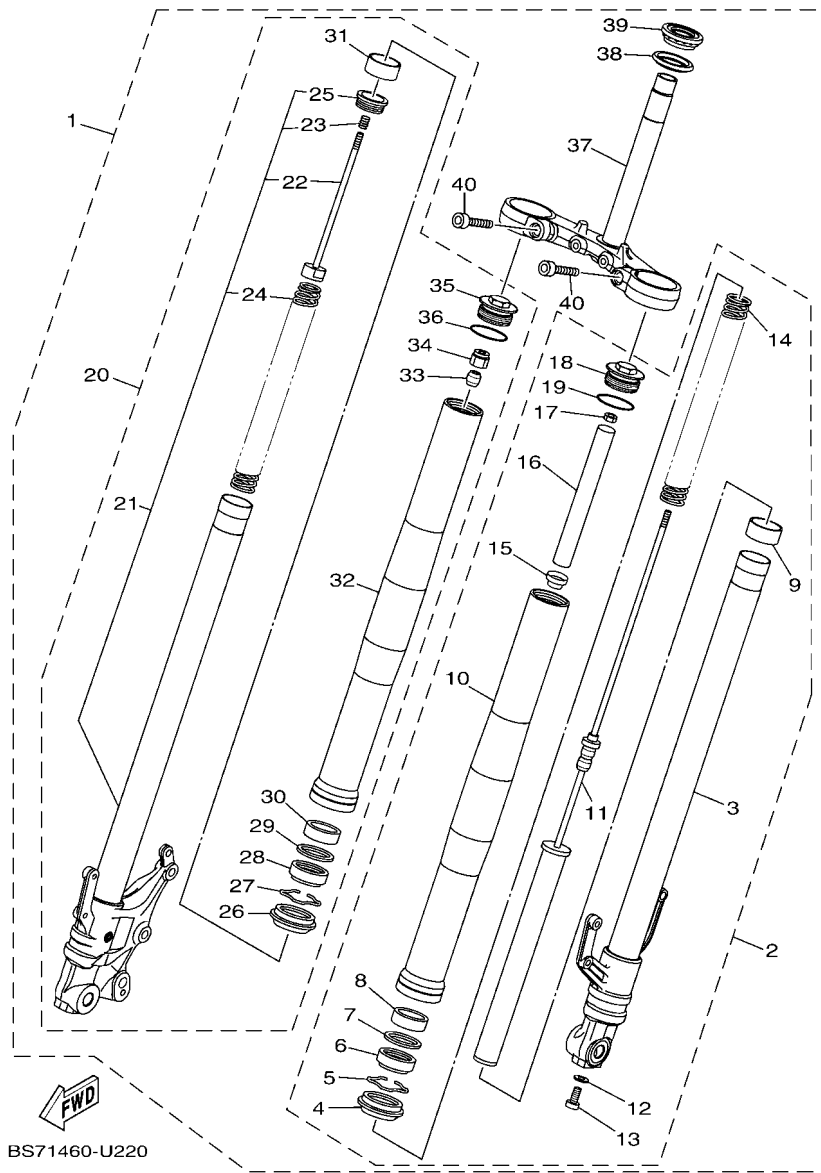
REF. NO.	PART NO.	DESCRIPTION	B4PS				REMARKS
1	1WD-F2110-00	REAR ARM COMP.	1				MBL2
2	1WD-22141-00	SHAFT, PIVOT	1				
3	1WD-F2129-01	COVER, THRUST 2	2				
4	1WD-F2184-00	BUSH	1				
5	93320-32403	BEARING	2				
6	95602-14200	NUT, SELF-LOCKING	1				
7	1WD-F2151-00	SEAL, GUARD	1				
8	90105-12309	BOLT, FLANGE	1				
9	1WD-F248B-00	COLLAR, ROD 1	1				
10	95602-12100	NUT, U	1				
11	1WD-F2311-01	CASE, CHAIN	1				
12	90387-06242	COLLAR	2				
13	90111-06119	BOLT, HEX. SOCKET BUTTON	2				
14	BS7-F2210-00	SHOCK ABSORBER ASSY, REAR	1				
15	90105-12093	BOLT, FLANGE	1				
16	95602-12100	NUT, U	1				
17	B17-F1668-00	LABEL, TIRE	1				

**FIG. 21 STEERING**



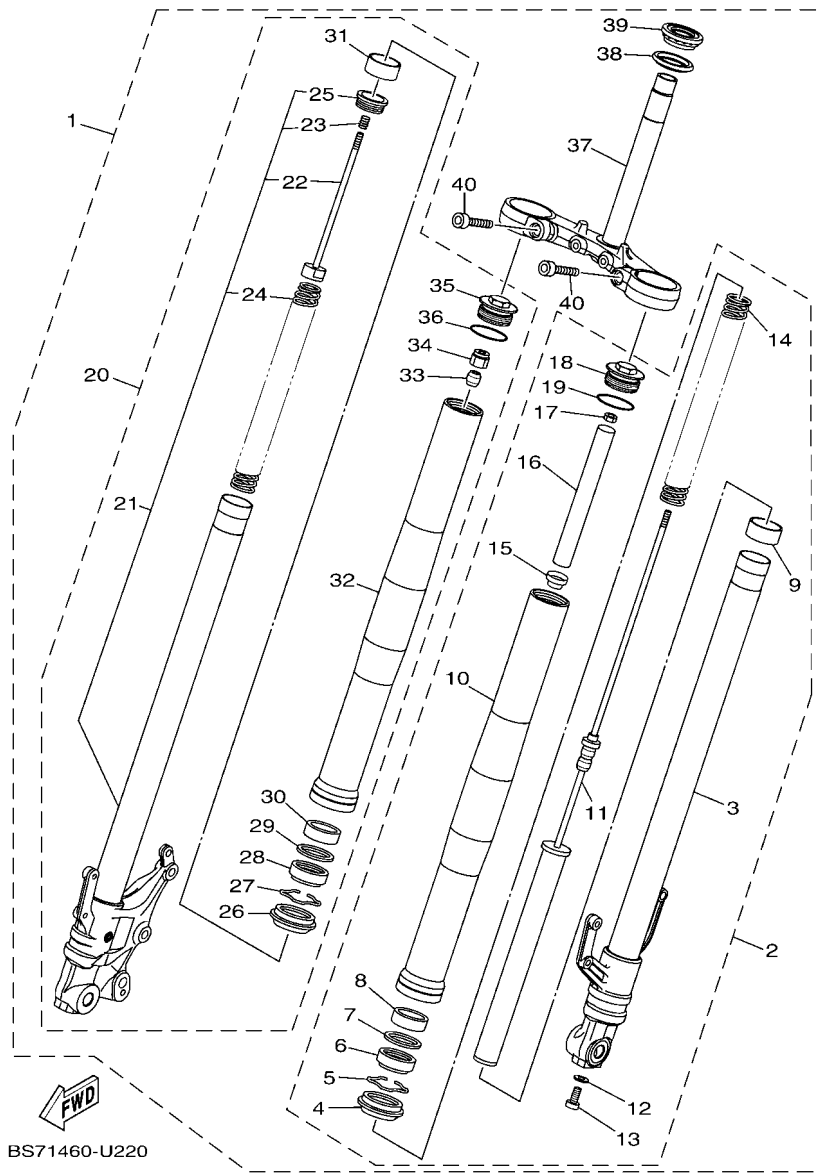
REF. NO.	PART NO.	DESCRIPTION	B4PS				REMARKS
1	93399-999Y3	BEARING	1				
2	5BP-F3416-10	COVER, BALL RACE 2	1				
3	90179-25615	NUT	2				
4	90202-26142	WASHER, PLATE	1				
5	5BP-F3418-00	WASHER, SPECIAL	1				
6	BS7-F3435-00	CROWN, HANDLE	1				
7	90105-14102	BOLT, FLANGE	1				
8	91317-08030	BOLT,HEX.SOCKET HEAD	2				


  
 BS71460-U210



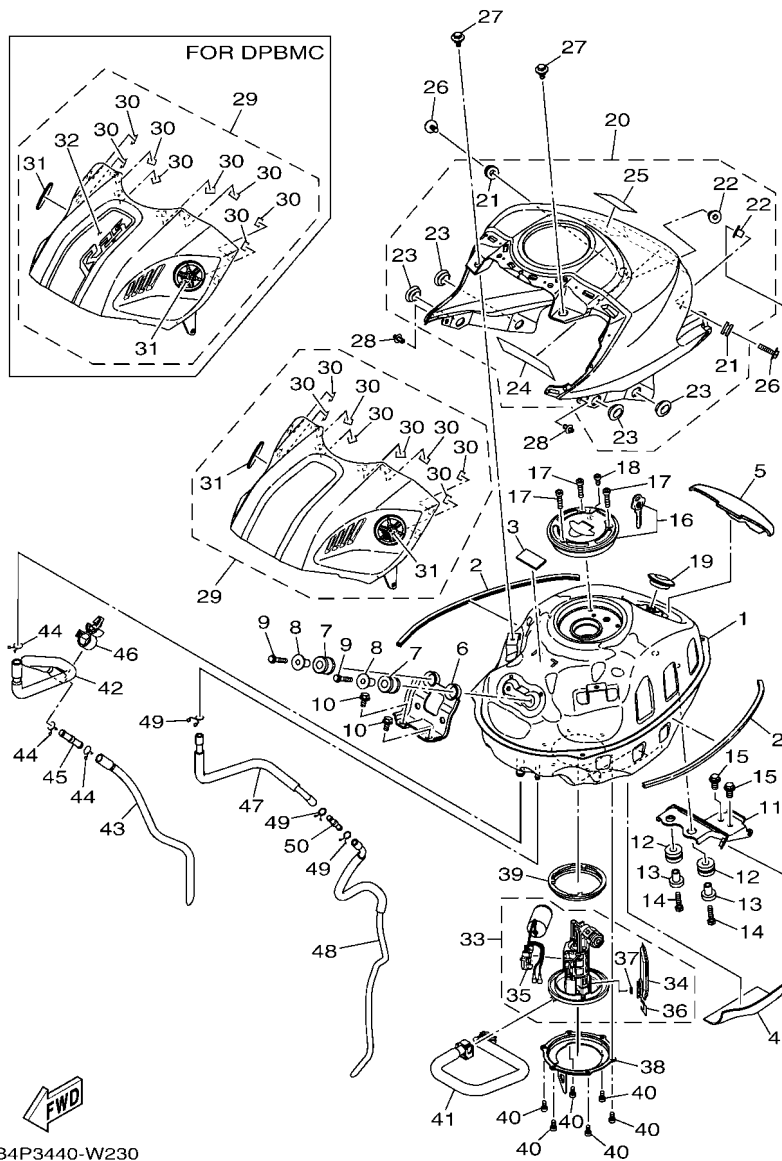
**FIG. 22 FRONT FORK**

REF. NO.	PART NO.	DESCRIPTION	B4PS	REMARKS
1	BS7-F3100-00	FRONT FORK ASSY	1	UR FOR DPBMC
	BS7-F3100-10	FRONT FORK ASSY	1	UR FOR CM6
2	BS7-F3102-00	.FRONT FORK ASSY (L.H)	1	UR FOR DPBMC
	BS7-F3102-10	.FRONT FORK ASSY (L.H)	1	UR FOR CM6
3	BS7-F3110-00	.INNER TUBE COMP.1	1	
4	B48-F3144-00	.SEAL, DUST	1	
5	3R4-23153-00	.RING, SNAP	1	
6	BK6-F3145-00	.OIL SEAL	1	
7	31A-23149-31	.WASHER, SPRING UPPER	1	
8	31A-23125-31	.METAL, SLIDE 1	1	
9	BK6-F3171-00	.PISTON, FRONT FORK	1	
10	BS7-F3126-10	.TUBE, OUTER	1	UR FOR DPBMC
	B9T-F3126-00	.TUBE, OUTER	1	UR FOR CM6
11	BS7-F3170-00	.CYLINDER COMP., FRONT FORK	1	
12	2BU-F3158-00	.GASKET	1	
13	31B-F3181-00	.BOLT, HEXAGON SOCKET HEAD	1	
14	BS7-F3141-00	.SPRING, FRONT FORK	1	
15	BK6-F3117-00	.GUIDE, SPRING	1	
16	BS7-F3118-00	.SPACER	1	
17	BK6-F3357-00	.NUT	1	
18	BS7-F3111-00	.BOLT, CAP	1	
19	4V4-23188-L0	.O-RING	1	
20	BS7-F3103-00	.FRONT FORK ASSY (R.H)	1	UR FOR DPBMC
	BS7-F3103-10	.FRONT FORK ASSY (R.H)	1	UR FOR CM6
21	BS7-F3120-00	.INNER TUBE COMP.2	1	
22	BK6-F330G-00	.ROD COMP.	1	
23	3AH-22222-00	..SPRING 2	1	



**FIG. 22 FRONT FORK**

REF. NO.	PART NO.	DESCRIPTION	B4PS				REMARKS
24	BS7-F3141-00	.SPRING, FRONT FORK	1				
25	BK6-F319U-00	.CAP	1				
26	B48-F3144-00	.SEAL, DUST	1				
27	3R4-23153-00	.RING, SNAP	1				
28	BK6-F3145-00	.OIL SEAL	1				
29	31A-23149-31	.WASHER, SPRING UPPER	1				
30	31A-23125-31	.METAL, SLIDE 1	1				
31	BK6-F3171-00	.PISTON, FRONT FORK	1				
32	BS7-F3126-10	.TUBE, OUTER	1				UR FOR DPBMC
	B9T-F3126-00	.TUBE, OUTER	1				UR FOR CM6
33	BK6-F332K-00	.BUMP, STOP	1				
34	BK6-F3393-00	.NUT, SPECIAL	1				
35	BS7-F3111-00	.BOLT, CAP	1				
36	4V4-23188-L0	.O-RING	1				
37	BS7-F3340-00	.UNDER BRACKET COMP.	1				
38	93399-99932	.BEARING	1				
39	3FV-23462-00	.SEAL, STEERING	1				
40	91312-10040	.BOLT, HEXAGON SOCKET HEAD	2				



B4P3440-W230

FIG. 23 FUEL TANK

REF. NO.	PART NO.	DESCRIPTION	B4PS	REMARKS
1	BS7-F4110-00	FUEL TANK COMP.	1	
2	BS7-F4188-00	MOLD, FUEL TANK	2	
3	5D9-H2126-00	PAD, BATTERY	1	
4	90520-02843	DAMPER, PLATE	1	
5	BS7-F414E-00	SEAL 2	1	
6	BS7-F412Y-00	BRACKET, TANK FITTING	1	
7	90480-18813	GROMMET	2	
8	90387-068M3	COLLAR	2	
9	97022-06030	BOLT, HEXAGON	2	
10	95817-06012	BOLT, FLANGE	2	
11	BS7-F4191-10	BRACKET, FUEL TANK 1	1	
12	90480-15807	GROMMET	2	
13	90387-068S8	COLLAR	2	
14	97022-06030	BOLT, HEXAGON	2	
15	95022-08014	BOLT, FLANGE	2	
16	BS7-WF461-00	CAP ASSY WITH LOCK	1	
17	90110-05806	BOLT, HEXAGON SOCKET HEAD	3	
18	91312-05010	BOLT, HEXAGON SOCKET HEAD	1	
19	90480-01806	GROMMET	1	
20	BS7-XF41D-90-P0	TANK SIDE COVER 1	1	UR FOR DPBMC
	BS7-XF41D-30-P6	TANK SIDE COVER 1	1	UR FOR CM6
21	90480-12808	.GROMMET	2	
22	90387-06899	.COLLAR	2	
23	90480-01559	.GROMMET	4	
24	90520-03841	.DAMPER, PLATE	1	
25	26P-21568-11	.LABEL, WARNING	1	
26	90119-06309	BOLT, WITH WASHER	2	

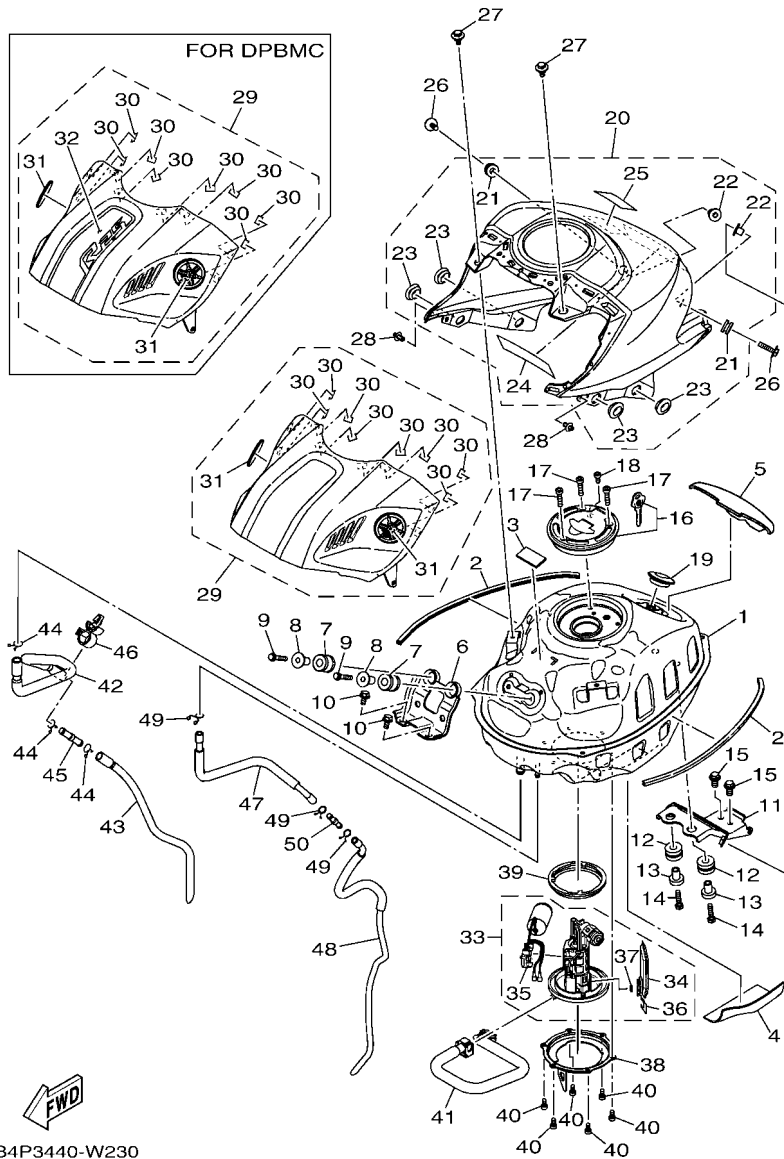


FIG. 23 FUEL TANK

REF. NO.	PART NO.	DESCRIPTION	B4PS				REMARKS
27	90109-068B2	BOLT	2				
28	90269-06816	RIVET	2				
29	BS7-XF17D-40-P0	COVER, TOP	1				UR FOR DPBMC
	BS7-XF17D-00-P6	COVER, TOP	1				UR FOR CM6
30	31B-F8307-00	.SEAL	8				
31	1WD-F413B-00	.EMBLEM	2				
32	BS7-F4244-30	.GRAPHIC, FUEL TANK 1	1				FOR DPBMC
33	BS7-E3907-01	FUEL PUMP COMP.	1				
34	3C1-E3915-00	.FILTER	1				
35	BS7-H5752-00	.SENDER UNIT ASSY, FUEL METER	1				
36	3C1-F4519-00	.CLIP	1				
37	3C1-24512-00	.GASKET	1				
38	BS7-F4491-00	BRACKET, FUEL PUMP	1				
39	3C1-F4486-00	O-RING	1				
40	91312-05010	BOLT, HEXAGON SOCKET HEAD	6				
41	1WD-E3971-02	PIPE, FUEL 1	1				
42	1WD-F4312-01	PIPE 2	1				
43	B9T-F4314-00	PIPE 4	1				
44	90467-15012	CLIP	3				
45	1WD-F4376-00	PIPE, JOINT 1	1				
46	90464-16012	CLAMP	1				
47	1WD-F4313-02	PIPE 3	1				
48	1WD-F4315-02	PIPE 5	1				
49	90467-09006	CLIP	3				
50	4XY-14568-00	JOINT	1				

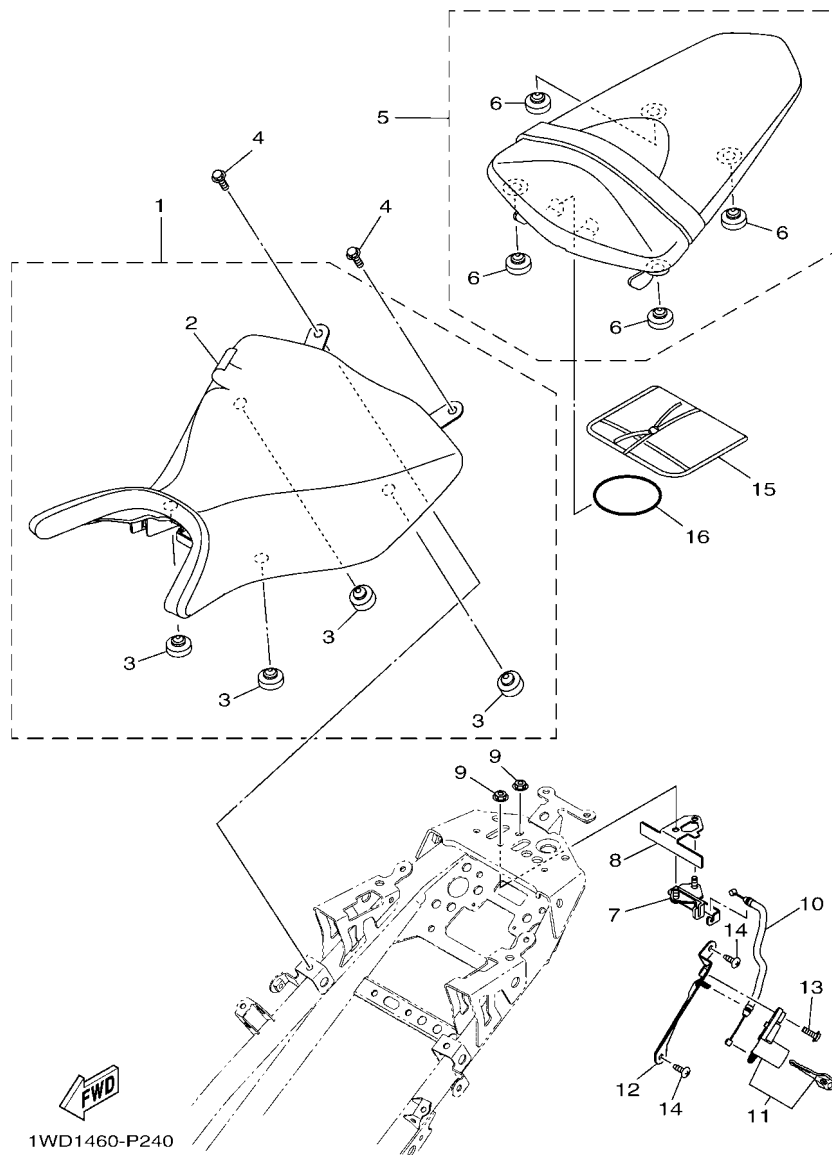
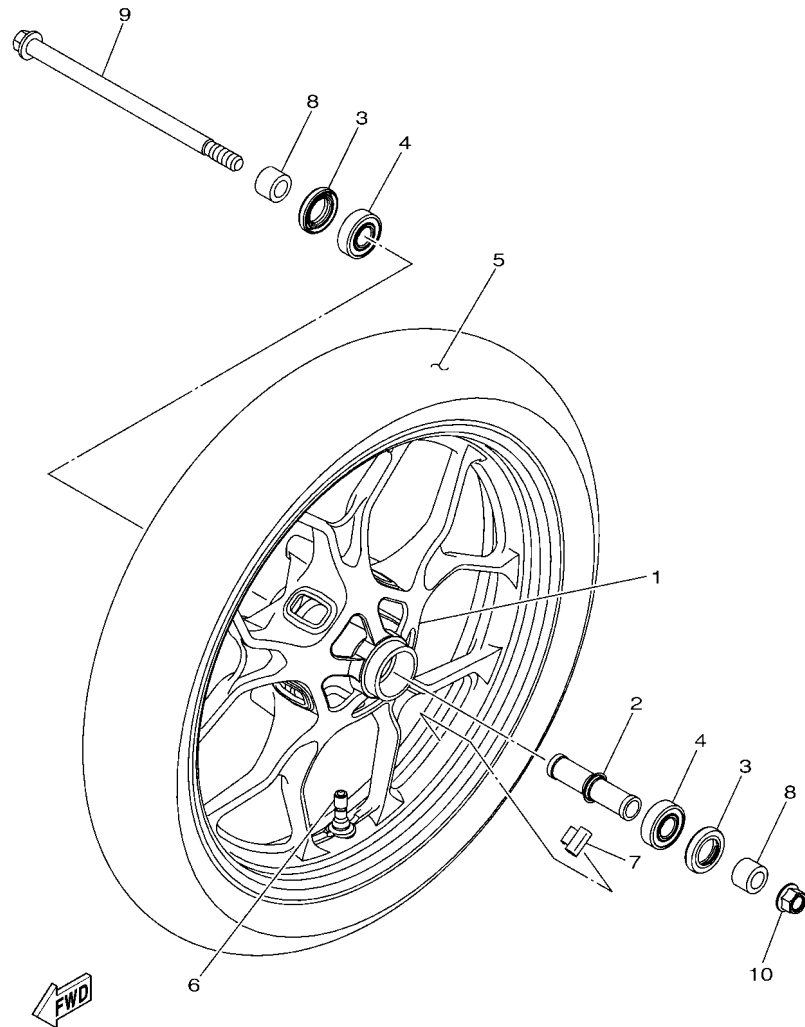


FIG. 24 SEAT

REF. NO.	PART NO.	DESCRIPTION	B4PS				REMARKS
1	1WD-F4710-02	SINGLE SEAT ASSY	1				
2	1WD-F4711-01	.COVER, SINGLE SEAT	1				
3	5BP-F4741-00	.PAD, SEAT	4				
4	95022-06012	BOLT, FLANGE	2				
5	1WD-F4750-01	TANDEM SEAT ASSY	1				
6	3C1-F4741-00	.PAD, SEAT	4				
7	1WD-F4780-00	SEAT LOCK ASSY	1				
8	1WD-F4792-00	PLATE	1				
9	95707-06500	NUT, FLANGE	2				
10	1WD-F478E-00	CABLE, SEAT LOCK	1				
11	1WD-WF479-00	ROTOR SUB ASSY WITH KEY	1				
12	1WD-F117K-00	STAY, LOCK	1				
13	90159-06054	SCREW, WITH WASHER	1				
14	97702-50016	SCREW, TAPPING	2				
15	1WD-F8100-00	TOOL KIT	1				
16	5TL-H2131-00	BAND, BATTERY	1				

**FIG. 25 FRONT WHEEL**

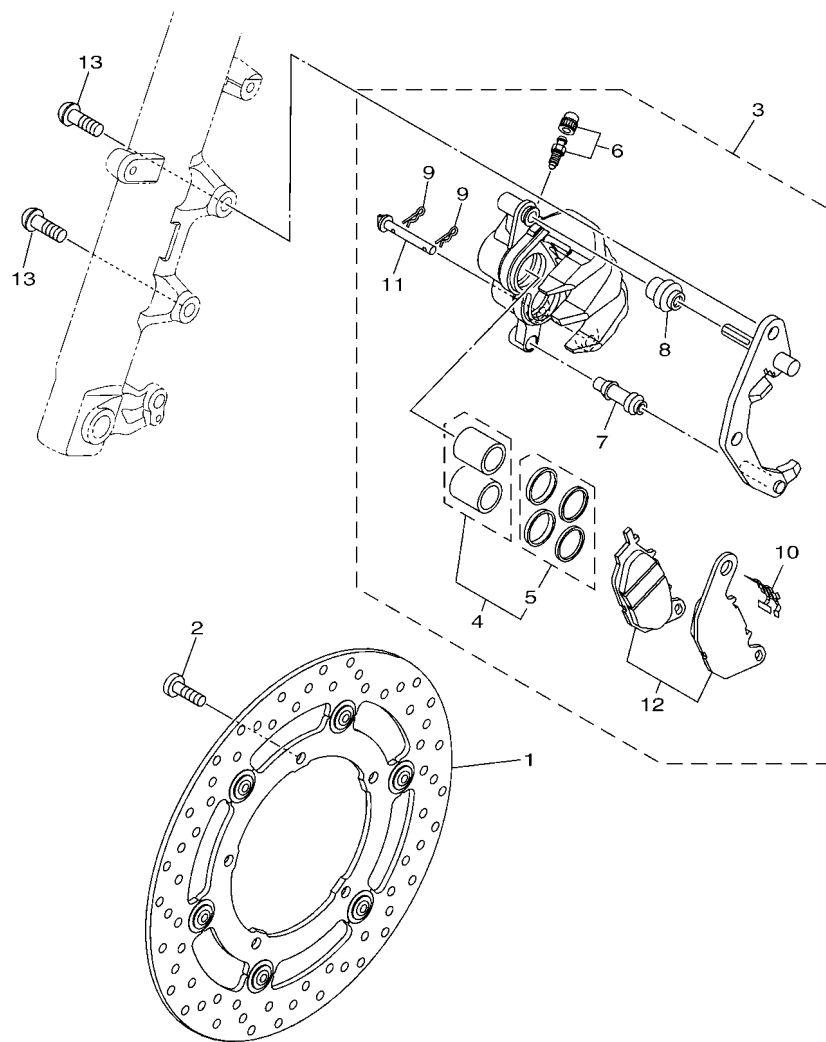


1WD1460-P250

REF. NO.	PART NO.	DESCRIPTION	B4PS	REMARKS
1	1WD-F5168-03-P0	CAST WHEEL, FRONT	1	DPBM15 FOR DPBMC
	1WD-F5168-03-P2	CAST WHEEL, FRONT	1	VYRS6 FOR CM6
2	1WD-F510C-01	COLLAR ASSY.	1	
3	93106-26815	OIL SEAL	2	
4	93306-302X4	BEARING	2	
5	94111-17801	TIRE (110/70-17M/C 54S RX-01F)	1	INOUE
6	93900-00828	VALVE, RIM	1	
7	5MT-25398-00	BALANCER, WHEEL (10G)	1	UN
	5MT-25398-10	BALANCER, WHEEL (20G)	1	UN
	5MT-25398-20	BALANCER, WHEEL (30G)	1	UN
8	1PA-F5386-00	COLLAR, SPROCKET AXLE	2	
9	1WD-25181-00	AXLE, WHEEL	1	
10	95602-14200	NUT, SELF-LOCKING	1	

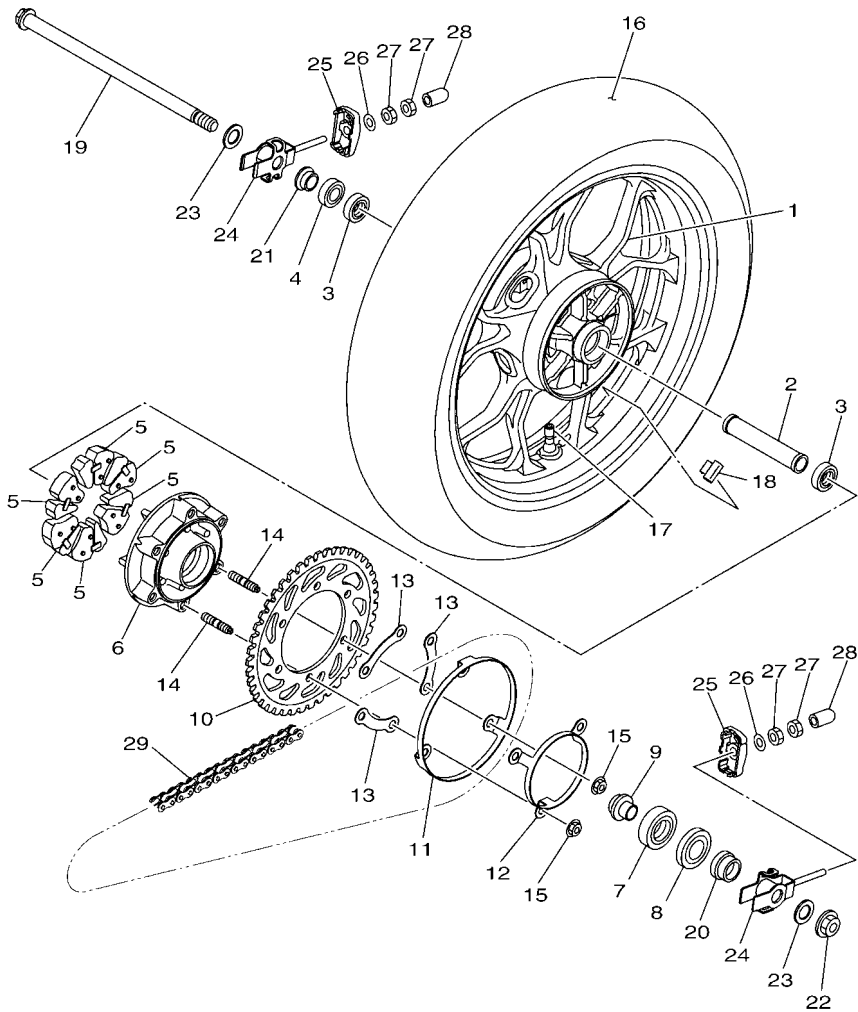


**FIG. 26 FRONT BRAKE CALIPER**



1WD1460-P260

REF. NO.	PART NO.	DESCRIPTION	B4PS				REMARKS
1	1WD-F581U-01	DISK BRAKE ASSY (RIGHT)	1				
2	90111-08087	BOLT,HEX. SOCKET BUTTON	5				
3	1WD-F580U-00	CALIPER ASSY (RIGHT)	1				
4	1WD-25802-00	.PISTON ASSY, CALIPER	1				
5	1WD-25803-00	..CALIPER SEAL KIT	1				
6	4C9-W0048-00	..BLEED SCREW KIT	1				
7	5YP-F5937-00	..BOOT 2	1				
8	5YP-F5917-00	..BOOT, CALIPER	1				
9	5YP-F5925-01	..CLIP	2				
10	1WD-F5919-00	..SUPPORT, PAD	1				
11	5YP-F5924-00	..PIN, PAD	1				
12	1WD-25805-00	..BRAKE PAD KIT	1				
13	90149-10804	SCREW	2				

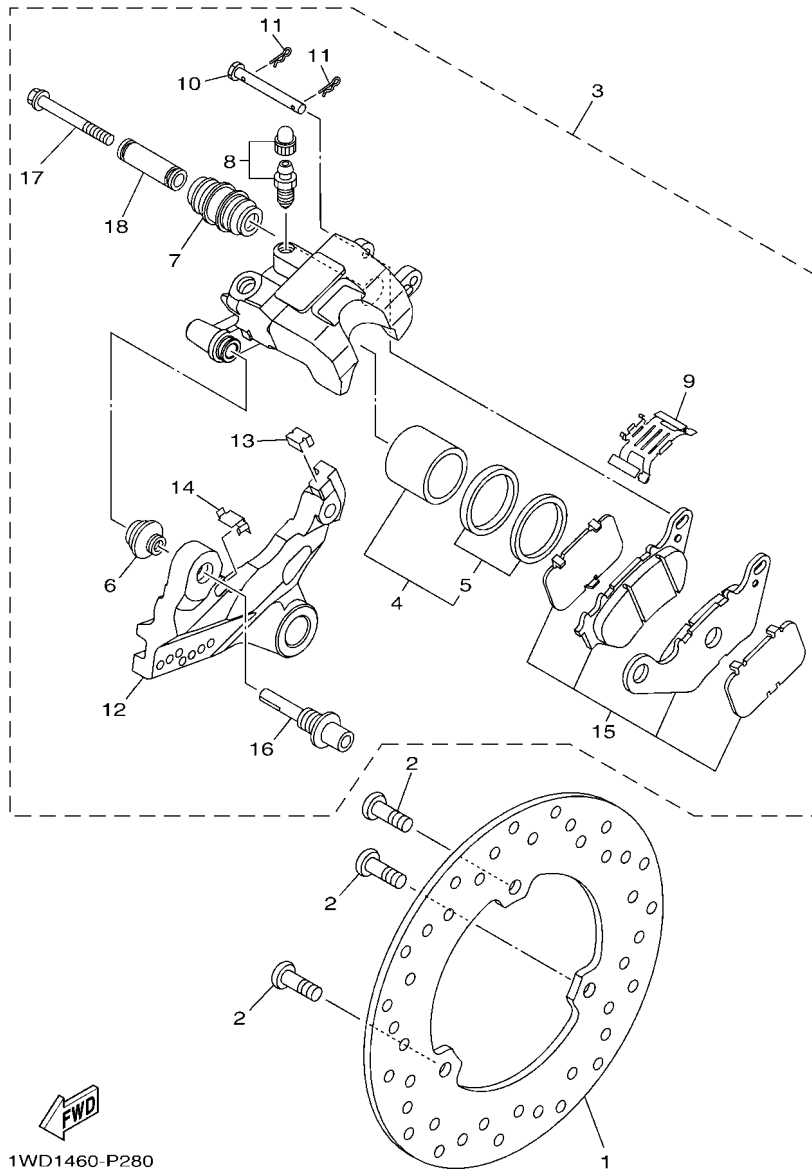


1WD1460-P271

FIG. 27 REAR WHEEL

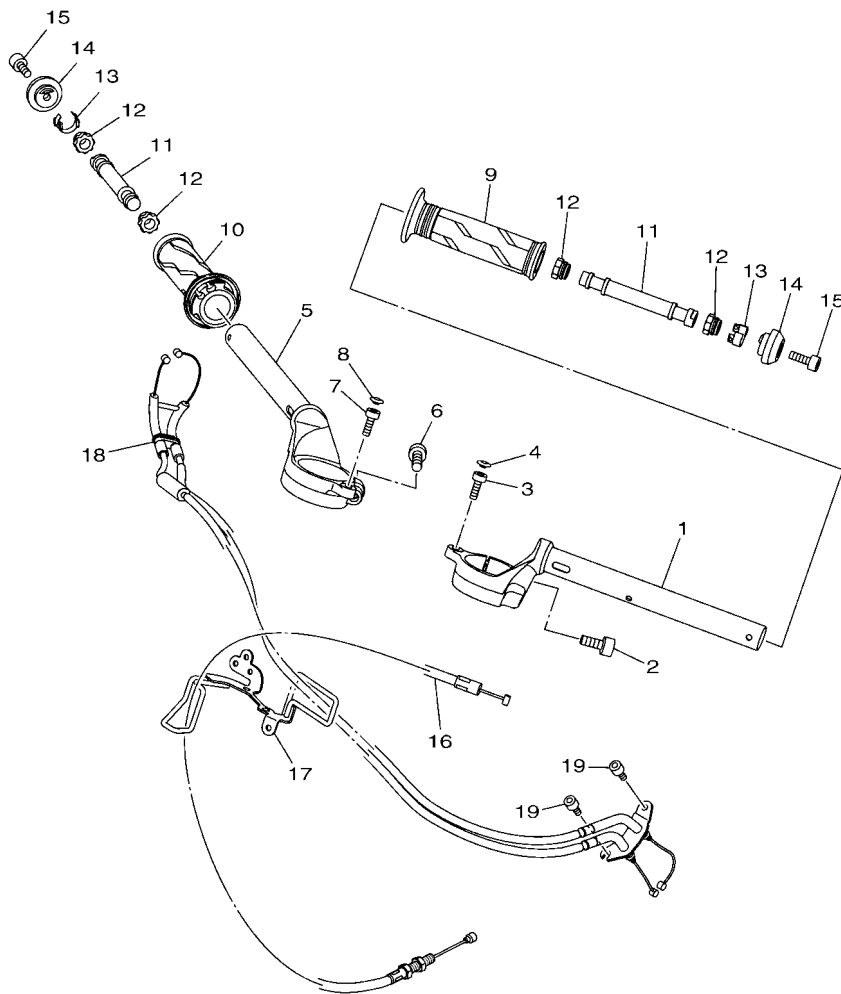
REF. NO.	PART NO.	DESCRIPTION	B4PS	REMARKS
1	1WD-F5338-03-P0	CAST WHEEL, REAR	1	DPBM15 FOR DPBMC
	1WD-F5338-03-P2	CAST WHEEL, REAR	1	VYRS6 FOR CM6
2	90387-17810	COLLAR	1	
3	93306-20314	BEARING	2	
4	93106-23002	OIL SEAL	1	
5	1WD-F5364-00	DAMPER	6	
6	1WD-F5366-00-P0	CLUTCH, HUB	1	UR FOR DPBMC
	1WD-F5366-00-P3	CLUTCH, HUB	1	UR VYRS6 FOR CM6
7	93306-30450	BEARING	1	
8	93106-38046	OIL SEAL	1	
9	1WD-F5377-00	COLLAR, WHEEL	1	
10	1WD-F5443-00	SPROCKET, DRIVEN (43T)	1	
11	1WD-F537W-00	BRACKET 1	1	
12	1WD-F537X-00	BRKT 2	1	
13	1WD-F539F-00	PLATE 1	3	
14	90116-10065	BOLT, STUD	6	
15	95602-10200	NUT, S/L FLANGE	6	
16	94114-17802	TIRE (140/70-17M/C 66S RX-01R)	1	INOUE
17	93900-00828	VALVE, RIM	1	
18	5MT-25398-00	BALANCER, WHEEL (10G)	1	UN
	5MT-25398-10	BALANCER, WHEEL (20G)	1	UN
	5MT-25398-20	BALANCER, WHEEL (30G)	1	UN
19	1WD-25381-00	AXLE, WHEEL	1	
20	1WD-F5386-00	COLLAR, SPROCKET AXLE	1	
21	1WD-F5383-00	COLLAR, WHEEL	1	
22	95602-16200	NUT, SELF-LOCKING	1	
23	90201-17809	WASHER, PLATE	2	





**FIG. 28 REAR BRAKE CALIPER**

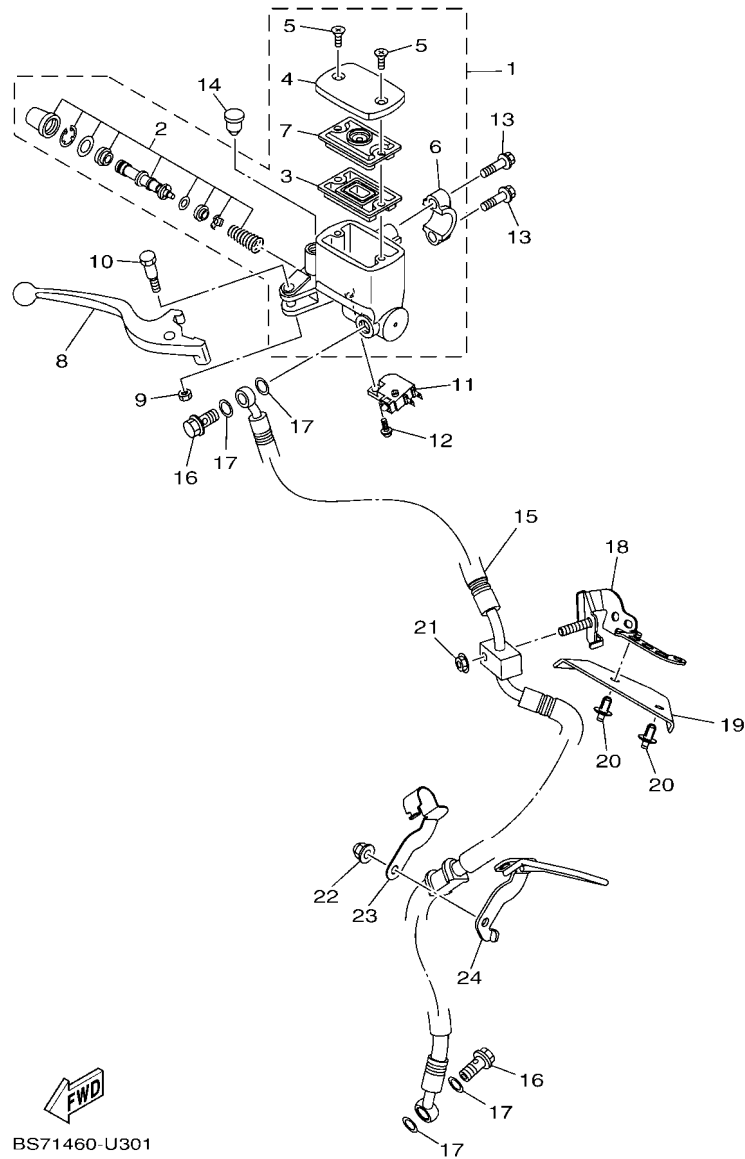
REF. NO.	PART NO.	DESCRIPTION	B4PS				REMARKS
1	1WD-F582W-00	DISK, REAR BRAKE 2	1				
2	90111-08087	BOLT,HEX. SOCKET BUTTON	3				
3	1WD-F580W-01	CALIPER ASSY, REAR 2	1				
4	1WD-25802-50	.PISTON ASSY, CALIPER	1				
5	1WD-25803-50	..CALIPER SEAL KIT	1				
6	5YP-F5917-00	.BOOT, CALIPER	1				
7	34X-25937-00	.BOOT 2	1				
8	5YP-W0048-50	.BLEED SCREW KIT	1				
9	1WD-F5919-50	.SUPPORT, PAD	1				
10	1WD-F5924-50	.PIN, PAD	1				
11	5YP-F5925-01	.CLIP	2				
12	1WD-F5921-51	.BRACKET, SUPPORT	1				
13	1WD-F5939-51	.CLIP, PAD	1				
14	1WD-F5939-61	.CLIP, PAD	1				
15	1WD-25806-00	.BRAKE PAD KIT 2	1				
16	1WD-F5914-50	.PIN, SLIDE	1				
17	5KN-25926-01	.BOLT	1				
18	5TL-F5838-00	.SLEEVE, CALIPER	1				



BS71460-U290

**FIG. 29 STEERING HANDLE & CABLE**

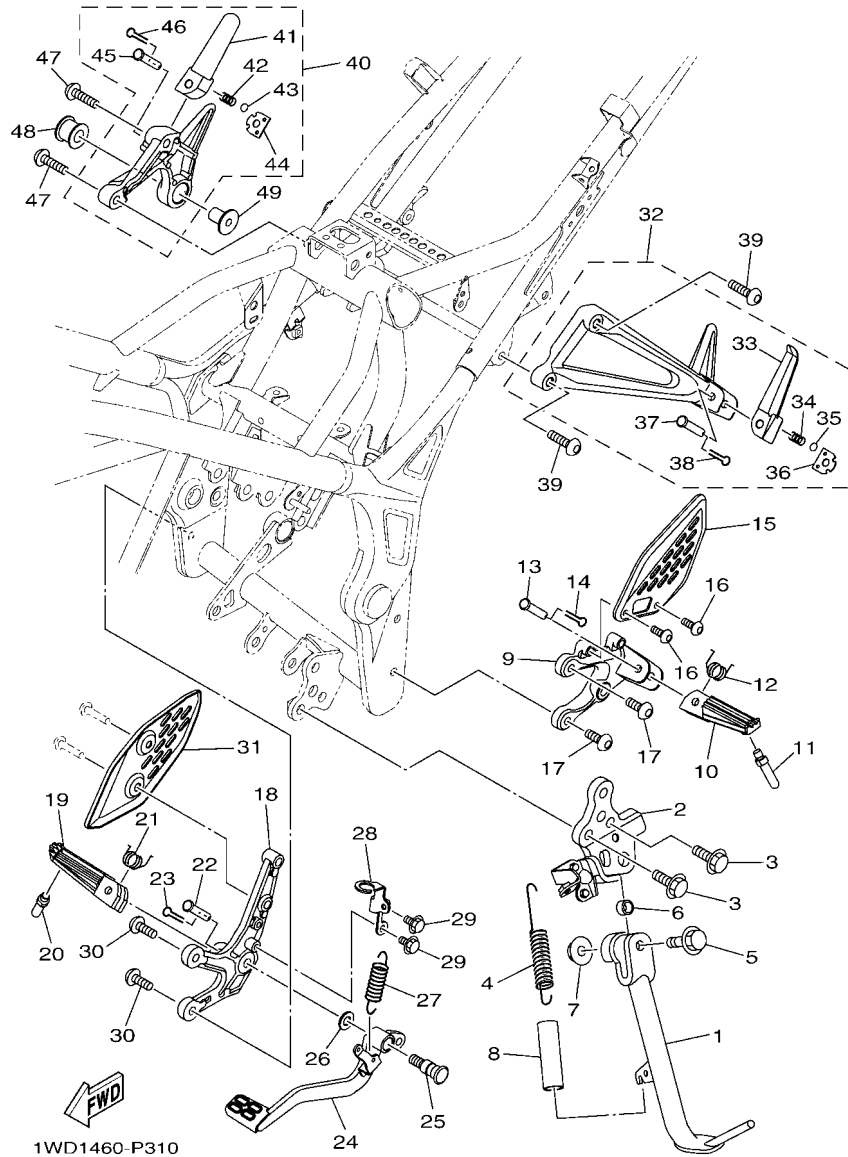
REF. NO.	PART NO.	DESCRIPTION	B4PS				REMARKS
1	BS7-F6121-00	HANDLEBAR (LEFT)	1				
2	91317-08020	BOLT,HEX.SOCKET HEAD	1				
3	91317-06016	BOLT,HEX.SOCKET HEAD	1				
4	90338-05010	PLUG	1				
5	BS7-F6122-00	HANDLEBAR (RIGHT)	1				
6	91317-08020	BOLT,HEX.SOCKET HEAD	1				
7	91317-06016	BOLT,HEX.SOCKET HEAD	1				
8	90338-05010	PLUG	1				
9	2DP-F6241-00	GRIP	1				
10	1WD-F6240-00	GRIP ASSY	1				
11	2MS-F622H-00	WEIGHT	2				
12	1S7-F622F-00	DAMPER, LOCATING 1	4				
13	1S7-F6257-00	STOPPER	2				
14	1WD-F6246-00	END, GRIP	2				
15	91317-06020	BOLT,HEX.SOCKET HEAD	2				
16	1WD-F6335-00	WIRE, CLUTCH	1				
17	BS7-F6131-00	GUIDE, CABLE 1	1				
18	BS7-F6301-01	THROTTLE CABLE ASSY	1				
19	91312-05010	BOLT, HEXAGON SOCKET HEAD	2				



**FWD**  
BS71460-U301

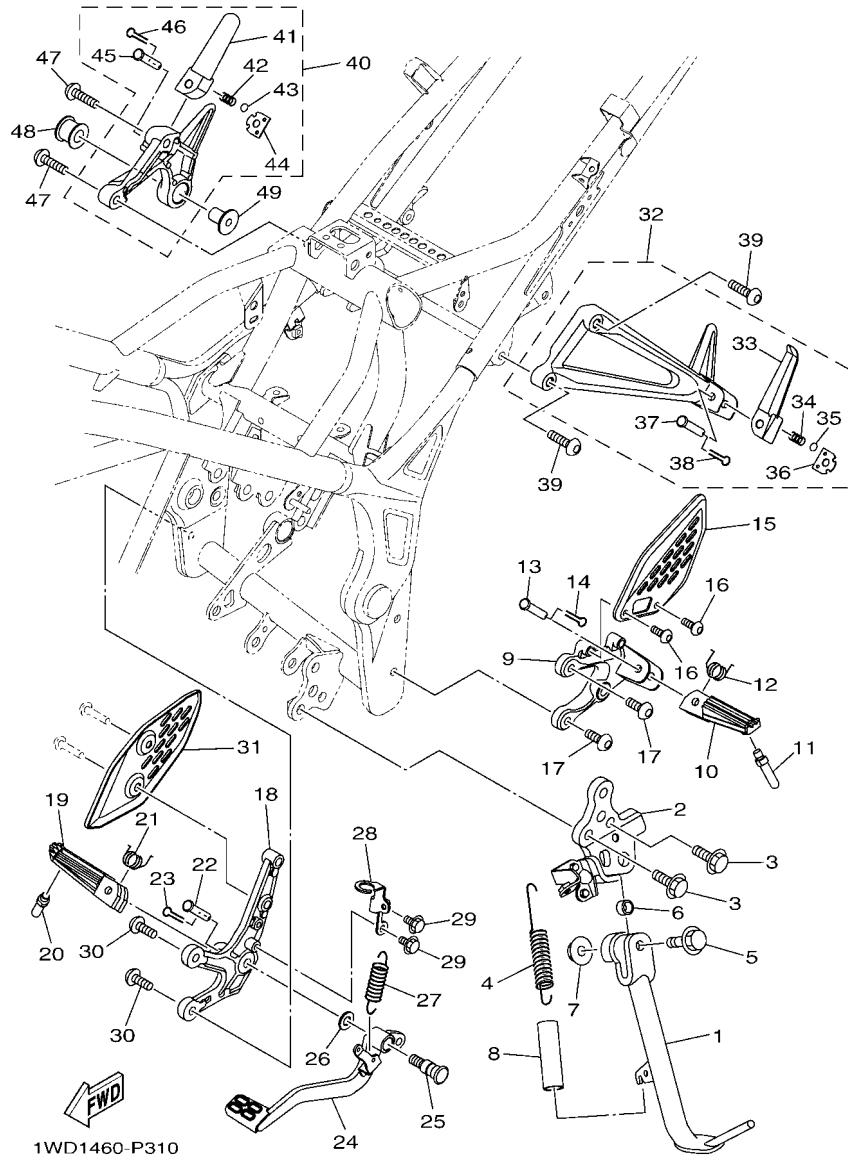
**FIG. 30 FRONT MASTER CYLINDER**

REF. NO.	PART NO.	DESCRIPTION	B4PS				REMARKS
1	1WD-F5870-00	MASTER CYLINDER SUB ASSY	1				
2	1WD-F5807-00	.CYLINDER KIT, MASTER	1				
3	5RB-25854-00	.DIAPHRAGM, RESERVOIR	1				
4	1WD-F5852-00	.CAP, RESERVOIR	1				
5	36Y-2589H-00	.SCREW	2				
6	3RW-F5867-00	.BRACKET, MASTER CYLINDER	1				
7	3C1-F5855-00	.BUSH,DIAPHRAGM	1				
8	1WD-H3922-00	LEVER 2	1				
9	95602-06100	NUT, SELF-LOCKING	1				
10	90109-06577	BOLT	1				
11	2DP-H3980-01	FRONT STOP SWITCH ASSY	1				
12	97602-04212	SCREW, PAN HEAD WITH WASHER	1				
13	95027-06025	BOLT, FLANGE	2				
14	90338-09012	PLUG	1				
15	BS7-F5872-00	HOSE, BRAKE 1	1				
16	90401-10812	BOLT, UNION	2				
17	90201-10118	WASHER, PLATE	4				
18	BS7-F5875-00	HOLDER, BRAKE HOSE 1	1				
19	BS7-F3818-00	COVER, STEERING	1				
20	90269-06816	RIVET	2				
21	95707-06500	NUT, FLANGE	1				
22	90176-06065	NUT, CROWN	1				
23	BS7-F587A-00	HOLDER, BRAKE HOSE 4	1				
24	BS7-F5887-00	HOLDER, BRAKE HOSE 3	1				



**FIG. 31 STAND & FOOTREST**

REF. NO.	PART NO.	DESCRIPTION	B4PS				REMARKS
1	1WD-F7311-00	STAND, SIDE	1				
2	1WD-F7321-10	BRACKET, SIDE STAND	1				
3	95817-10025	BOLT, FLANGE	2				
4	90506-23812	SPRING, TENSION	1				
5	90105-106A7	BOLT, FLANGE	1				
6	90387-10010	COLLAR	1				
7	95602-10200	NUT, S/L FLANGE	1				
8	90445-217G3	HOSE (L70)	1				
9	1WD-F7442-01	BRACKET 2	1				
10	1WD-F7451-00	FOOTREST	1				
11	1WD-F7435-00	BOLT	1				
12	90508-183B9	SPRING, TORSION	1				
13	90240-08145	PIN, CLEVIS	1				
14	91401-25015	PIN, COTTER	1				
15	1WD-F7445-00	PLATE 1	1				
16	90111-06013	BOLT,HEX. SOCKET BUTTON	2				
17	90109-085G6	BOLT	2				
18	1WD-F7443-00	BRACKET 3	1				
19	1WD-F7461-00	FOOTREST	1				
20	1WD-F7435-00	BOLT	1				
21	90508-183B9	SPRING, TORSION	1				
22	90240-08145	PIN, CLEVIS	1				
23	91401-25015	PIN, COTTER	1				
24	1WD-F7211-00	PEDAL, BRAKE	1				
25	4BP-27261-00	SHAFT	1				
26	90201-10021	WASHER, PLATE	1				
27	90506-26807	SPRING, TENSION	1				

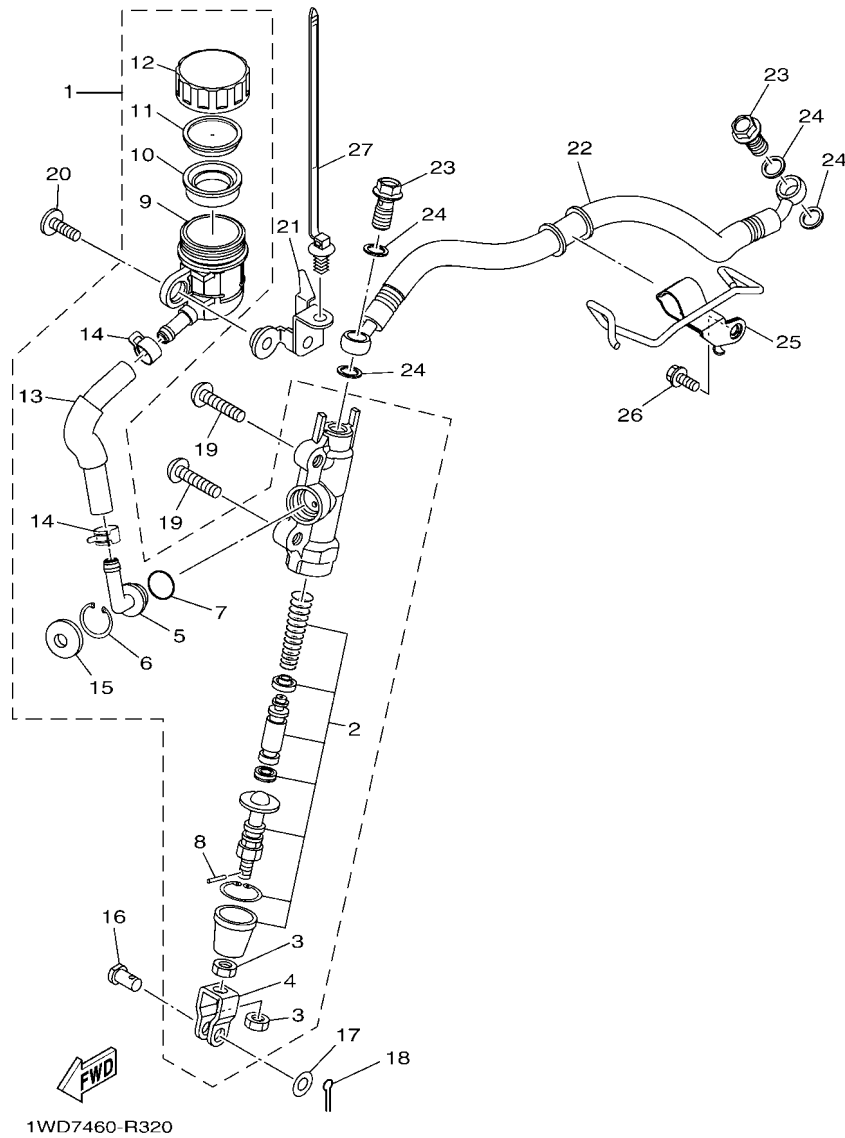


**FIG. 31 STAND & FOOTREST**

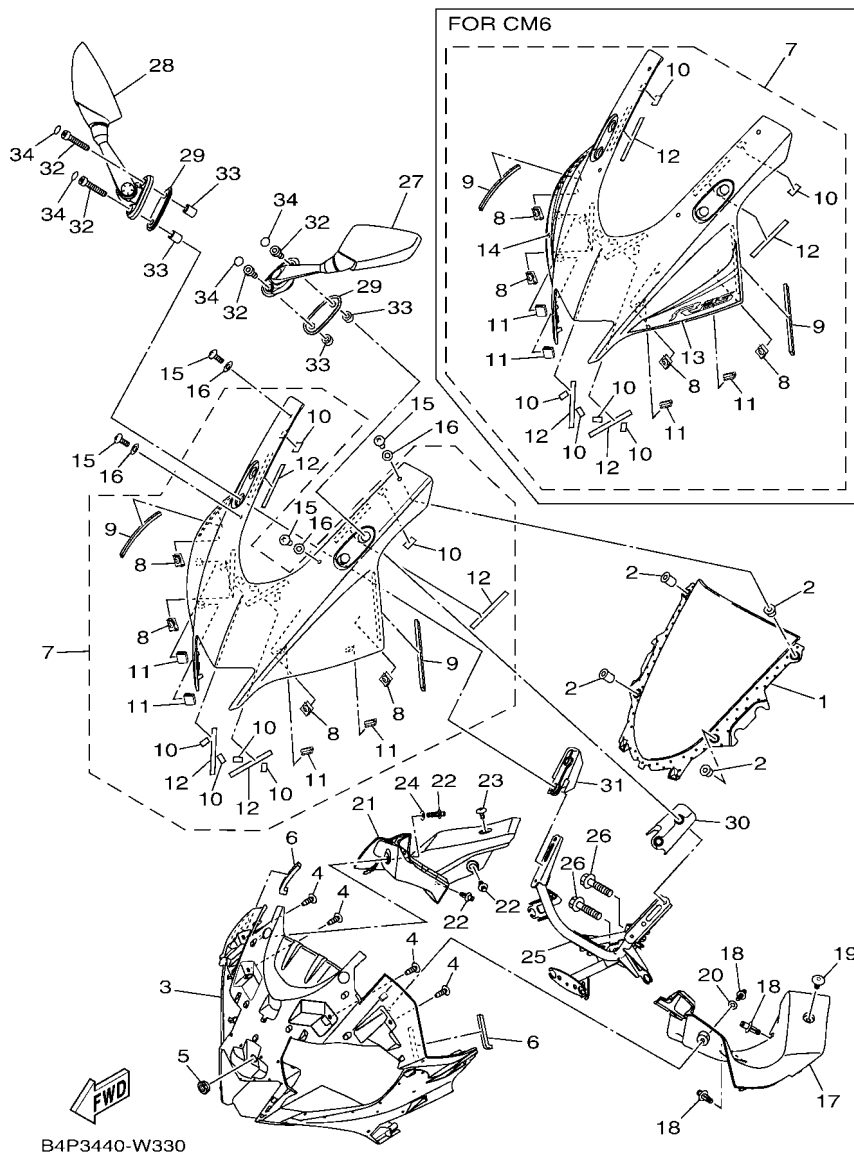
REF. NO.	PART NO.	DESCRIPTION	B4PS				REMARKS
28	1WD-F144G-00	STAY, STOP SWITCH	1				
29	95802-06010	BOLT, FLANGE	2				
30	90109-085G6	BOLT	2				
31	1WD-F7446-00	PLATE 2	1				
32	1WD-F7430-01	REAR FOOTREST ASSY 1	1				
33	1WD-F7431-01	.FOOTREST, REAR 1	1				
34	90501-12743	.SPRING, COMPRESSION	1				
35	93501-04830	.BALL	1				
36	1WD-F7437-00	.WASHER, SPECIAL	1				
37	90240-08145	.PIN, CLEVIS	1				
38	91401-25015	.PIN, COTTER	1				
39	90110-08071	BOLT, HEXAGON SOCKET HEAD	2				
40	1WD-F7440-01	REAR FOOTREST ASSY 2	1				
41	1WD-F7441-01	.FOOTREST, REAR 2	1				
42	90501-12743	.SPRING, COMPRESSION	1				
43	93501-04830	.BALL	1				
44	1WD-F7437-00	.WASHER, SPECIAL	1				
45	90240-08145	.PIN, CLEVIS	1				
46	91401-25015	.PIN, COTTER	1				
47	90110-08071	BOLT, HEXAGON SOCKET HEAD	2				
48	5TP-E4747-00	DAMPER, MUFFLER	1				
49	90387-08813	COLLAR	1				



**FIG. 32 REAR MASTER CYLINDER**



REF. NO.	PART NO.	DESCRIPTION	B4PS				REMARKS
1	1WD-F580E-00	REAR MASTER CYLINDER ASSY	1				
2	1WD-F5808-00	.CYLINDER KIT, MASTER	1				
3	4SS-27218-00	.NUT	2				
4	50C-F7222-00	.JOINT	1				
5	50C-F582A-50	.JOINT	1				
6	50C-F5866-00	.CIRCLIP	1				
7	93210-15620	.O-RING	1				
8	3KW-27234-00	.PIN, BRAKE ROD	1				
9	50C-F5894-10	.TANK, RESERVOIR	1				
10	2VN-F5854-00	.DIAPHRAGM, RESERVOIR	1				
11	50C-F5855-00	.BUSH,DIAPHRAGM	1				
12	1WD-F5852-50	.CAP, RESERVOIR	1				
13	1WD-F5895-50	.HOSE, RESERVOIR	1				
14	90467-12085	.CLIP	2				
15	50C-F589A-00	.COVER, DUST	1				
16	90240-08124	PIN, CLEVIS	1				
17	90201-08083	WASHER, PLATE	1				
18	91401-20012	PIN, COTTER	1				
19	92012-08030	BOLT, BUTTON HEAD	2				
20	90111-06121	BOLT,HEX. SOCKET BUTTON	1				
21	B04-F582E-00	HOLDER, RESERVE TANK	1				
22	1WD-F5873-00	HOSE, BRAKE 2	1				
23	90401-10812	BOLT, UNION	2				
24	90201-10118	WASHER, PLATE	4				
25	1WD-F5887-00	HOLDER, BRAKE HOSE 3	1				
26	95D37-06014	BOLT, FLANGE DEEP RECESS	1				
27	90464-30009	CLAMP	1				



B4P3440-W330

FIG. 33 WINDSHIELD

REF. NO.	PART NO.	DESCRIPTION	B4PS	REMARKS
1	BS7-F8381-00	WINDSHIELD	1	
2	90179-05849	NUT	4	
3	BS7-F835G-00	BODY, FRONT UPPER 1	1	
4	97702-50016	SCREW, TAPPING	4	
5	90480-13398	GROMMET	1	
6	90520-07808	DAMPER, PLATE	2	
7	BS7-XF83F-30-P0	BODY COWLING SUB ASSY	1	UR FOR DPBMC
	BS7-XF83F-10-P6	BODY COWLING SUB ASSY	1	UR FOR CM6
8	90183-05807	.NUT, SPRING	4	
9	90520-07808	.DAMPER, PLATE	2	
10	31B-F8307-00	.SEAL	6	
11	1WD-F8376-00	.TRIM	4	
12	1WD-F414E-00	.SEAL 2	4	
13	BS7-F8391-80	.GRAPHIC 1	1	FOR CM6
14	BS7-F8392-80	.GRAPHIC 2	1	FOR CM6
15	90150-05023	SCREW, ROUND HEAD	4	
16	90202-05088	WASHER, PLATE	4	
17	BS7-F836N-00	PANEL, INNER 4	1	
18	90269-06816	RIVET	3	
19	90111-05003	BOLT, HEX. SOCKET BUTTON	1	
20	BS7-F8327-00	DAMPER, LEG SHIELD	1	
21	BS7-F836R-00	PANEL, INNER 5	1	
22	90269-06816	RIVET	3	
23	90111-05003	BOLT, HEX. SOCKET BUTTON	1	
24	BS7-F8327-00	DAMPER, LEG SHIELD	1	
25	BS7-F8356-00	STAY 1	1	
26	95812-08035	BOLT, FLANGE	2	

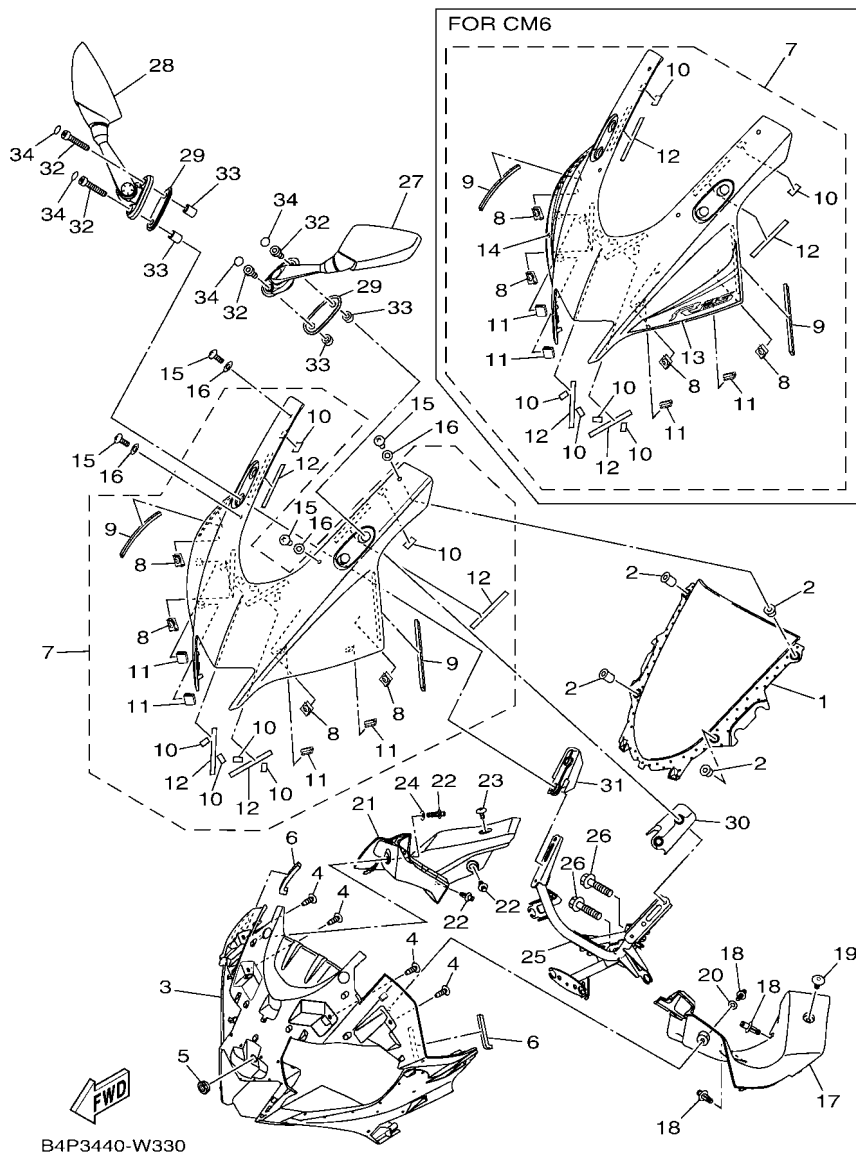
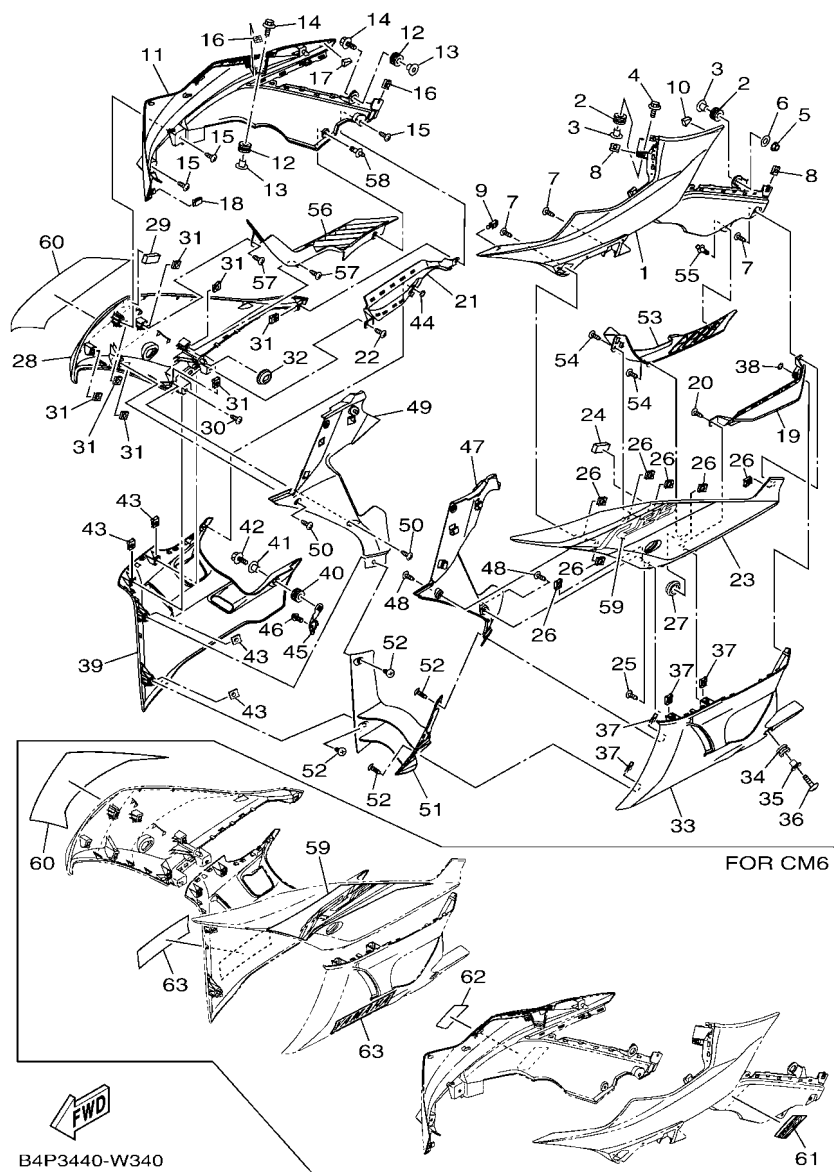


FIG. 33 WINDSHIELD

REF. NO.	PART NO.	DESCRIPTION	B4PS	REMARKS
27	BS7-F6280-00	REAR VIEW MIRROR ASSY (LEFT)	1	
28	BS7-F6290-00	REAR VIEW MIRROR ASSY (RIGHT)	1	
29	BK6-F8483-00	PLATE, RUBBER 1	2	
30	BS7-F8484-00	PLATE, RUBBER 2	1	
31	BS7-F8485-00	PLATE, RUBBER 3	1	
32	91317-06030	BOLT,HEX.SOCKET HEAD	4	
33	90387-06131	COLLAR	4	
34	90338-05010	PLUG	4	

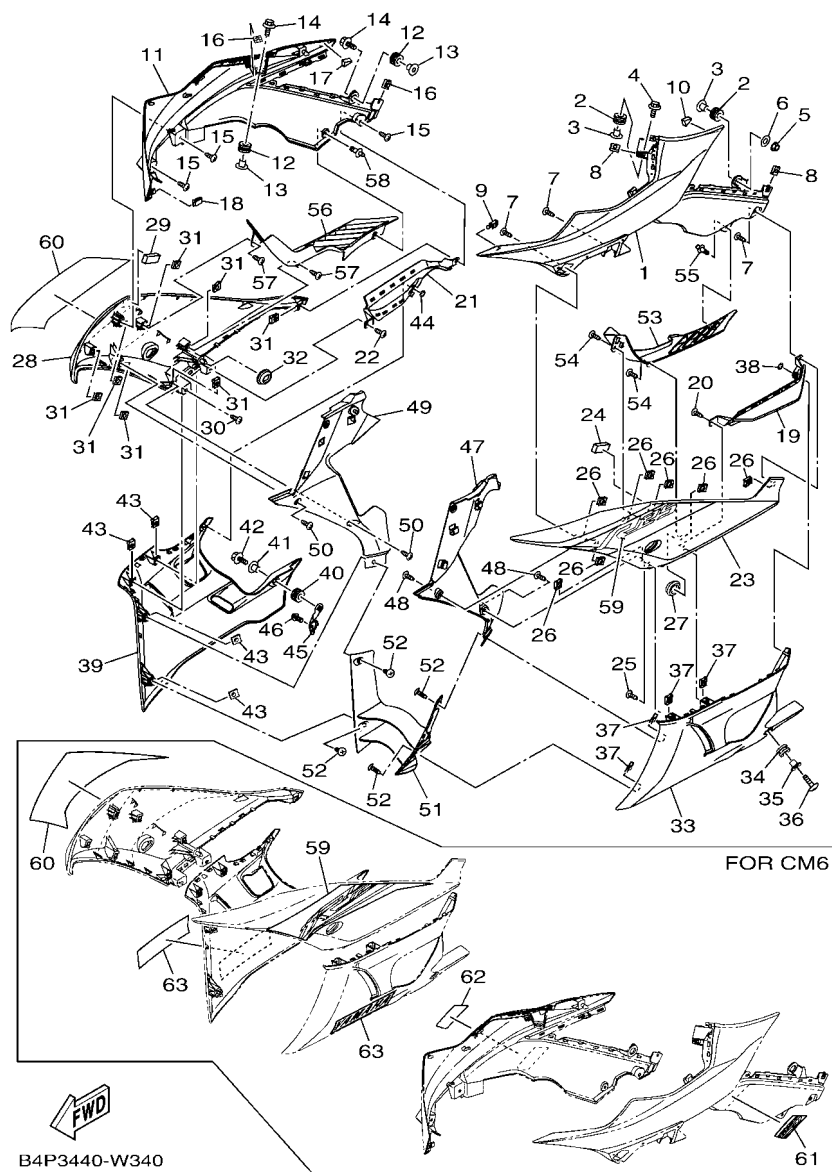
FIG. 34 COWLING 1



B4P3440-W340

REF. NO.	PART NO.	DESCRIPTION	B4PS	REMARKS
1	BS7-F172G-00-P0	PANEL 3	1	UR FOR DPBMC
	BS7-F172G-00-P3	PANEL 3	1	UR SM12 FOR CM6
2	90480-12808	GROMMET	2	
3	90387-06899	COLLAR	2	
4	90119-06810	BOLT, WITH WASHER	1	
5	95702-06500	NUT, FLANGE	1	
6	90201-06380	WASHER PLAIN	1	
7	97702-50016	SCREW, TAPPING	3	
8	90183-050A7	NUT, SPRING	2	
9	44D-F8379-00	HOOK	1	
10	BS7-F8415-00	DAMPER 1	1	
11	BS7-F172H-00-P0	PANEL 4	1	UR FOR DPBMC
	BS7-F172H-00-P3	PANEL 4	1	UR SM12 FOR CM6
12	90480-12808	GROMMET	2	
13	90387-06899	COLLAR	2	
14	90119-06810	BOLT, WITH WASHER	2	
15	97702-50016	SCREW, TAPPING	3	
16	90183-050A7	NUT, SPRING	2	
17	BS7-F8415-00	DAMPER 1	1	
18	44D-F8379-00	HOOK	1	
19	BS7-F117V-00	COVER 7	1	
20	97702-50016	SCREW, TAPPING	1	
21	BS7-F117W-00	COVER 8	1	
22	97702-50016	SCREW, TAPPING	1	
23	BS7-F835U-00-P3	PANEL 1	1	UR FOR DPBMC
	BS7-F835U-00-P7	PANEL 1	1	UR FOR CM6
24	5YT-24665-00	DAMPER	1	

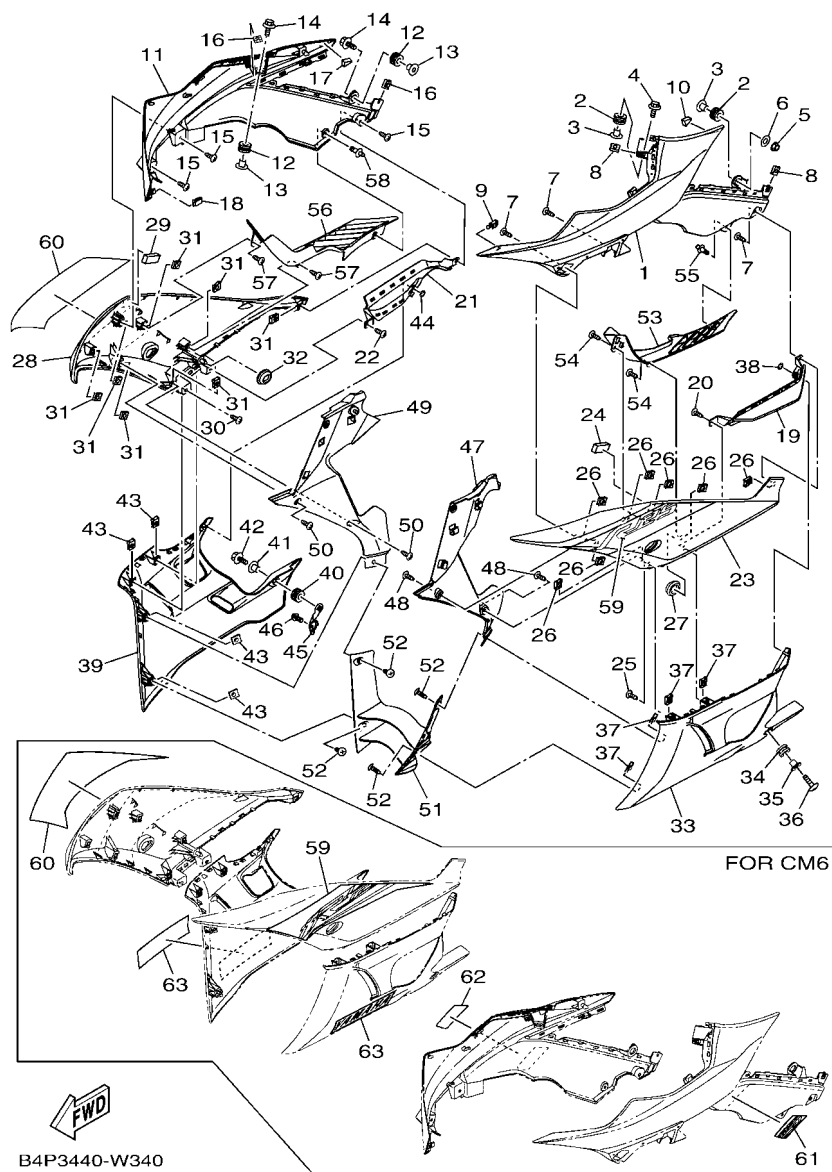
FIG. 34 COWLING 1



B4P3440-W340

REF. NO.	PART NO.	DESCRIPTION	B4PS	REMARKS
25	97702-50016	SCREW,TAPPING	1	
26	90183-05807	NUT, SPRING	7	
27	90480-01821	GROMMET	1	
28	BS7-F835V-00-P3	PANEL 2	1	UR FOR DPBMC
	BS7-F835V-00-P7	PANEL 2	1	UR FOR CM6
29	5YT-24665-00	DAMPER	1	
30	97702-50016	SCREW,TAPPING	1	
31	90183-05807	NUT, SPRING	7	
32	90480-01821	GROMMET	1	
33	BS7-F8385-00-P3	COVER, UNDER	1	UR FOR DPBMC
	BS7-F8385-00-P7	COVER, UNDER	1	UR FOR CM6
34	90480-12808	GROMMET	1	
35	90387-06899	COLLAR	1	
36	90111-06117	BOLT,HEX. SOCKET BUTTON	1	
37	90183-05807	NUT, SPRING	4	
38	90183-05M02	NUT, SPRING	1	
39	BS7-F8395-00-P3	COVER, UNDER 2	1	UR FOR DPBMC
	BS7-F8395-00-P7	COVER, UNDER 2	1	UR FOR CM6
40	90480-12808	GROMMET	1	
41	90387-06899	COLLAR	1	
42	90111-06117	BOLT,HEX. SOCKET BUTTON	1	
43	90183-05807	NUT, SPRING	4	
44	90183-05M02	NUT, SPRING	1	
45	BS7-F833E-00	BRACKET 8	1	
46	95022-06012	BOLT, FLANGE	1	
47	BS7-F836K-00	PANEL, INNER 1	1	
48	97707-50016	SCREW, TRUSS HEAD TAPPING	2	

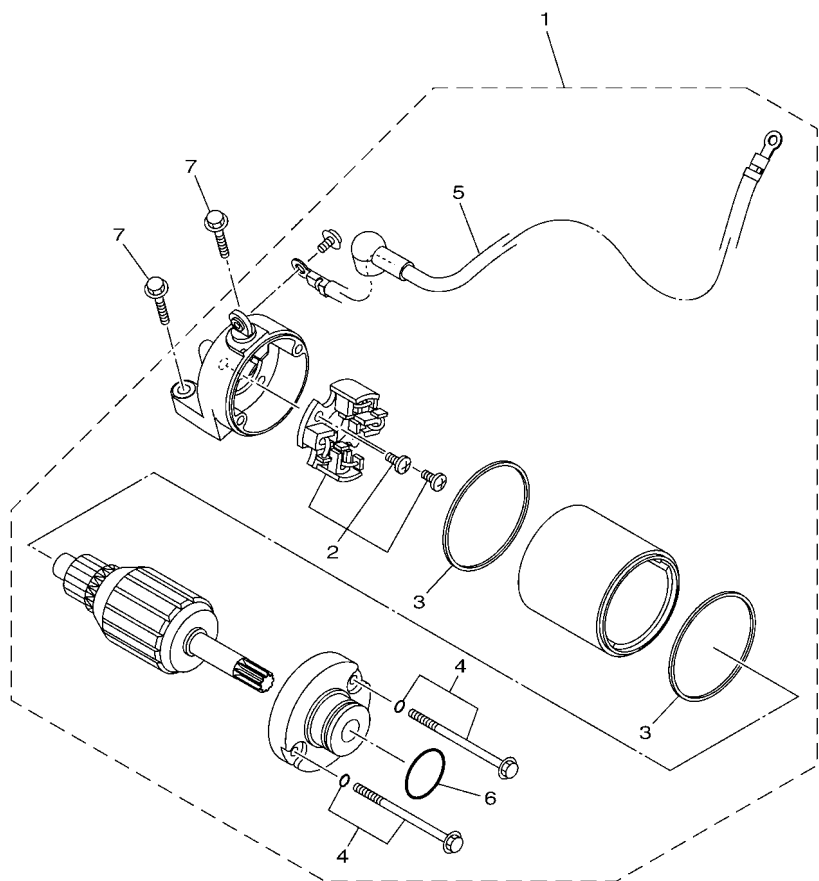
FIG. 34 COWLING 1



REF. NO.	PART NO.	DESCRIPTION	B4PS	REMARKS
49	BS7-F836L-00	PANEL, INNER 2	1	
50	97707-50016	SCREW, TRUSS HEAD TAPPING	2	
51	BS7-F836M-00	PANEL, INNER 3	1	
52	97707-50016	SCREW, TRUSS HEAD TAPPING	4	
53	BS7-F837V-00	GRILL, AIR OUTLET 1	1	
54	97702-50016	SCREW, TAPPING	2	
55	90269-06816	RIVET	1	
56	BS7-F837W-00	GRILL, AIR OUTLET 2	1	
57	97702-50016	SCREW, TAPPING	2	
58	90269-06816	RIVET	1	
59	BS7-F8391-50	GRAPHIC 1	1	UR FOR DPBMC
	BS7-F8393-60	GRAPHIC 3	1	UR FOR CM6
60	BS7-F8392-50	GRAPHIC 2	1	UR FOR DPBMC
	BS7-F8394-60	GRAPHIC 4	1	UR FOR CM6
61	BS7-F8398-50	GRAPHIC 5	1	FOR CM6
62	BS7-F8399-50	GRAPHIC 6	1	FOR CM6
63	1WD-F8328-60	EMBLEM	2	FOR CM6



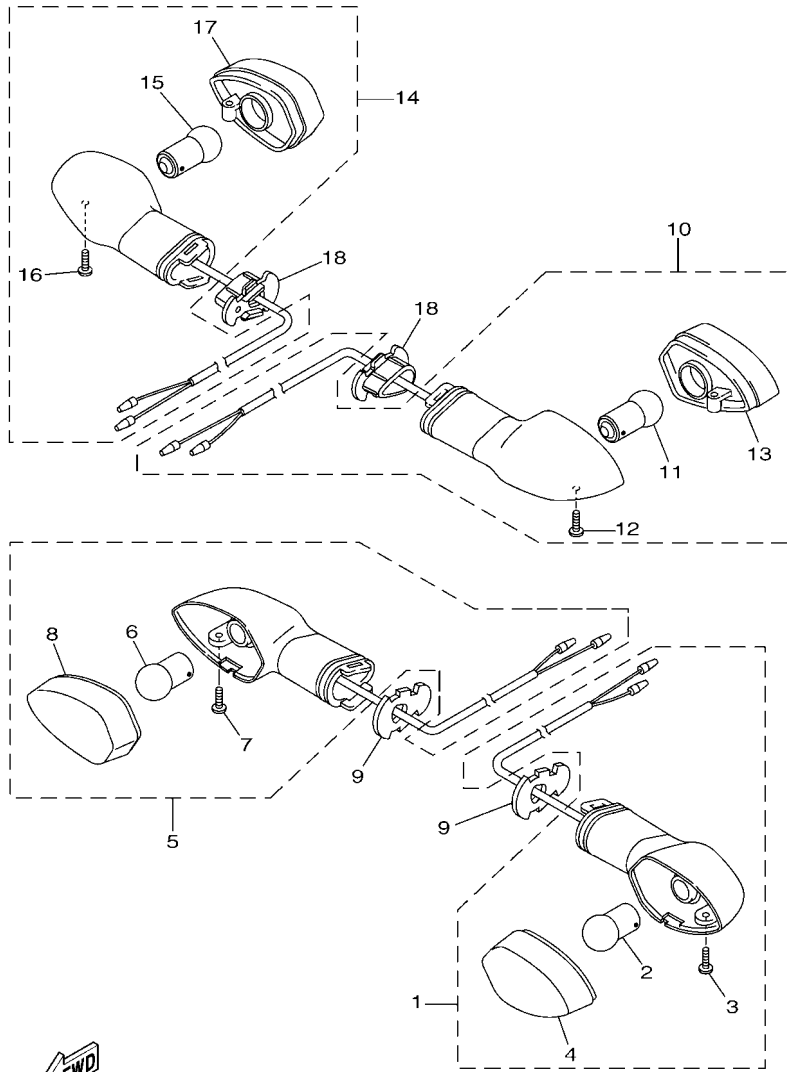
**FIG. 36 STARTING MOTOR**



REF. NO.	PART NO.	DESCRIPTION	B4PS					REMARKS
1	1WD-H1800-00	STARTING MOTOR ASSY	1					
2	1WD-H1801-00	.BRUSH SET	1					
3	1WD-H1861-00	.GASKET	2					
4	1WD-H1828-00	.BOLT 2	2					
5	1WD-H183G-00	.CORD COMP.	1					
6	4FP-H182L-00	.O-RING 1	1					
7	95022-06025	BOLT, FLANGE	2					

  
1WD1460-P360

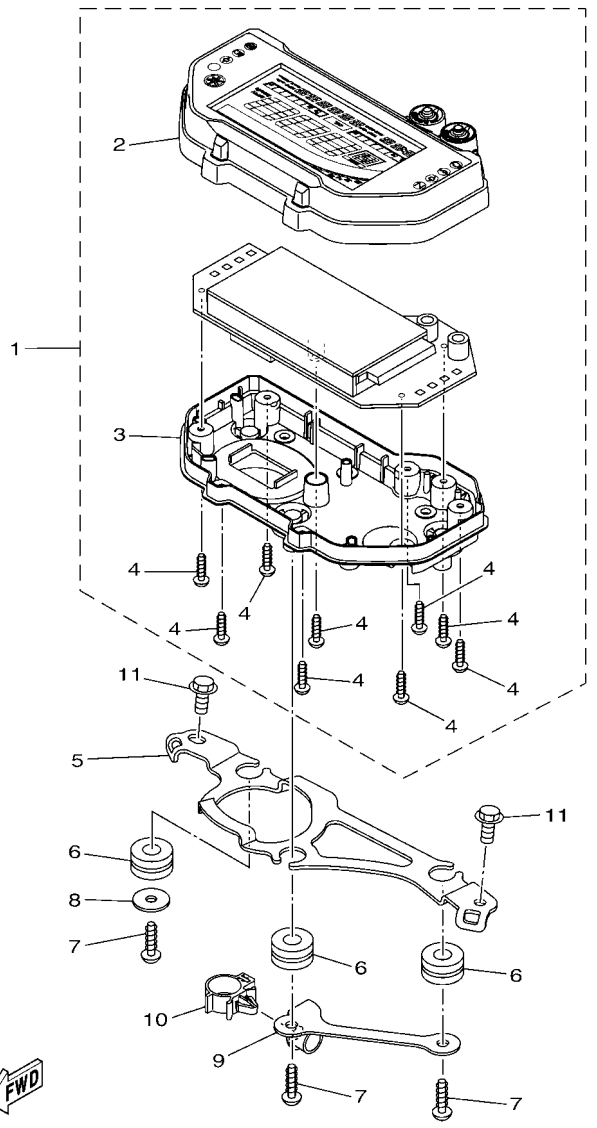




B026431-P370

**FIG. 37 FLASHER LIGHT**

REF. NO.	PART NO.	DESCRIPTION	B4PS				REMARKS
1	BS7-H3310-10	FRONT FLASHER LIGHT ASSY 1	1				
2	1KB-83311-00	.BULB, FLASHER (12V-10W)	1				
3	3D9-H3333-10	.SCREW, LENS FITTING	1				
4	1KB-8333A-00	.LENS COMP 1	1				
5	BS7-H3320-10	FRONT FLASHER LIGHT ASSY 2	1				
6	1KB-83311-00	.BULB, FLASHER (12V-10W)	1				
7	3D9-H3333-10	.SCREW, LENS FITTING	1				
8	1KB-8334A-00	.LENS COMP 2	1				
9	BD6-H3318-10	STAY, FLASHER 1	2				
10	1WD-H3330-10	REAR FLASHER LIGHT ASSY 1	1				
11	1KB-83311-00	.BULB, FLASHER (12V-10W)	1				
12	3D9-H3333-10	.SCREW, LENS FITTING	1				
13	1KB-8334A-00	.LENS COMP 2	1				
14	1WD-H3340-10	REAR FLASHER LIGHT ASSY 2	1				
15	1KB-83311-00	.BULB, FLASHER (12V-10W)	1				
16	3D9-H3333-10	.SCREW, LENS FITTING	1				
17	1KB-8333A-00	.LENS COMP 1	1				
18	1WD-H3318-00	STAY, FLASHER 1	2				

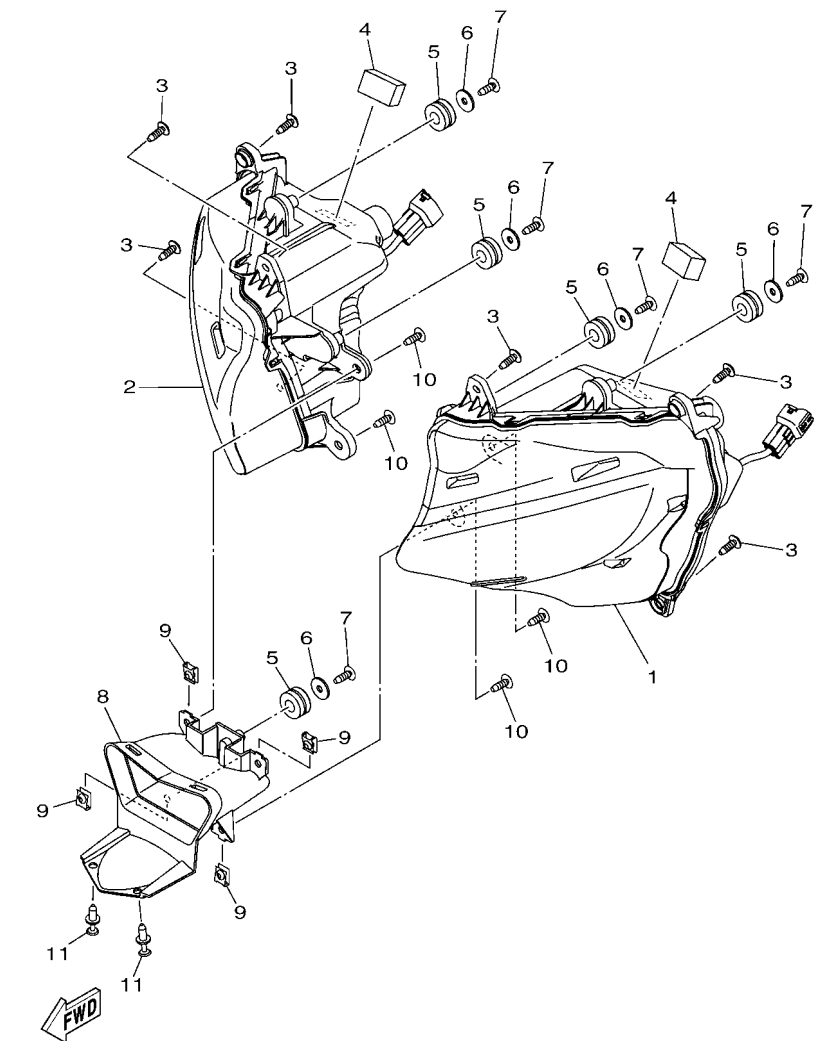


BS71460-U380

FIG. 38 METER

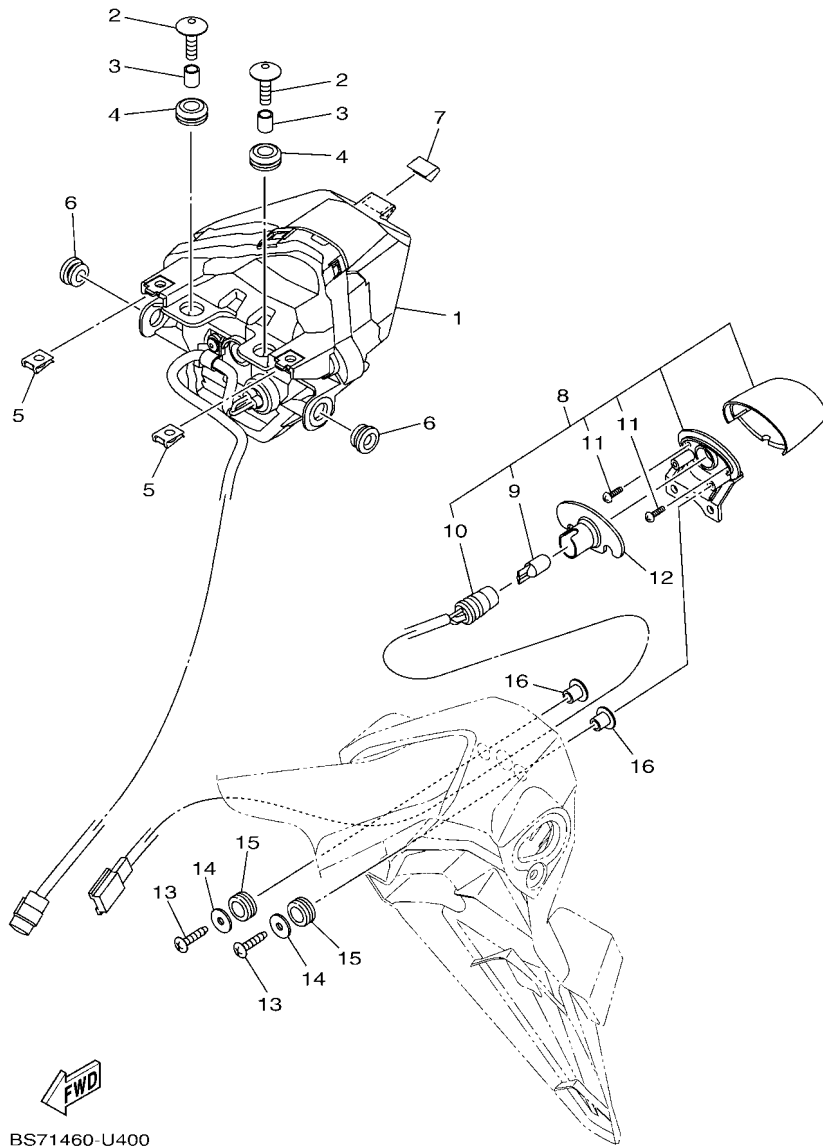
REF. NO.	PART NO.	DESCRIPTION	B4PS				REMARKS
1	BS7-H3500-02	METER ASSY	1				
2	BS7-H3571-01	.CASE, SPEEDOMETER UPPER	1				
3	BS7-H3572-01	.CASE, SPEEDOMETER LOWER	1				
4	97707-30020	.SCREW, TAPPING	9				
5	BS7-H3519-00	BRACKET, METER	1				
6	90480-14229	GROMMET	3				
7	97702-50016	SCREW, TAPPING	3				
8	90201-05827	WASHER, PLATE	1				
9	BS7-H350E-00	BRACKET	1				
10	90464-16006	CLAMP	1				
11	95022-06012	BOLT, FLANGE	2				

**FIG. 39 HEADLIGHT**



BS71460-U390

REF. NO.	PART NO.	DESCRIPTION	B4PS				REMARKS
1	BS7-H4300-00	HEADLIGHT ASSY	1				
2	BS7-H4300-10	HEADLIGHT ASSY	1				
3	97702-50016	SCREW,TAPPING	6				
4	90520-20825	DAMPER, PLATE	2				
5	90480-14229	GROMMET	5				
6	90201-05036	WASHER, PLATE	5				
7	97702-50016	SCREW,TAPPING	5				
8	BS7-F838N-00	DUCT 1	1				
9	90183-05807	NUT, SPRING	4				
10	97702-50016	SCREW,TAPPING	4				
11	90269-05005	RIVET	2				

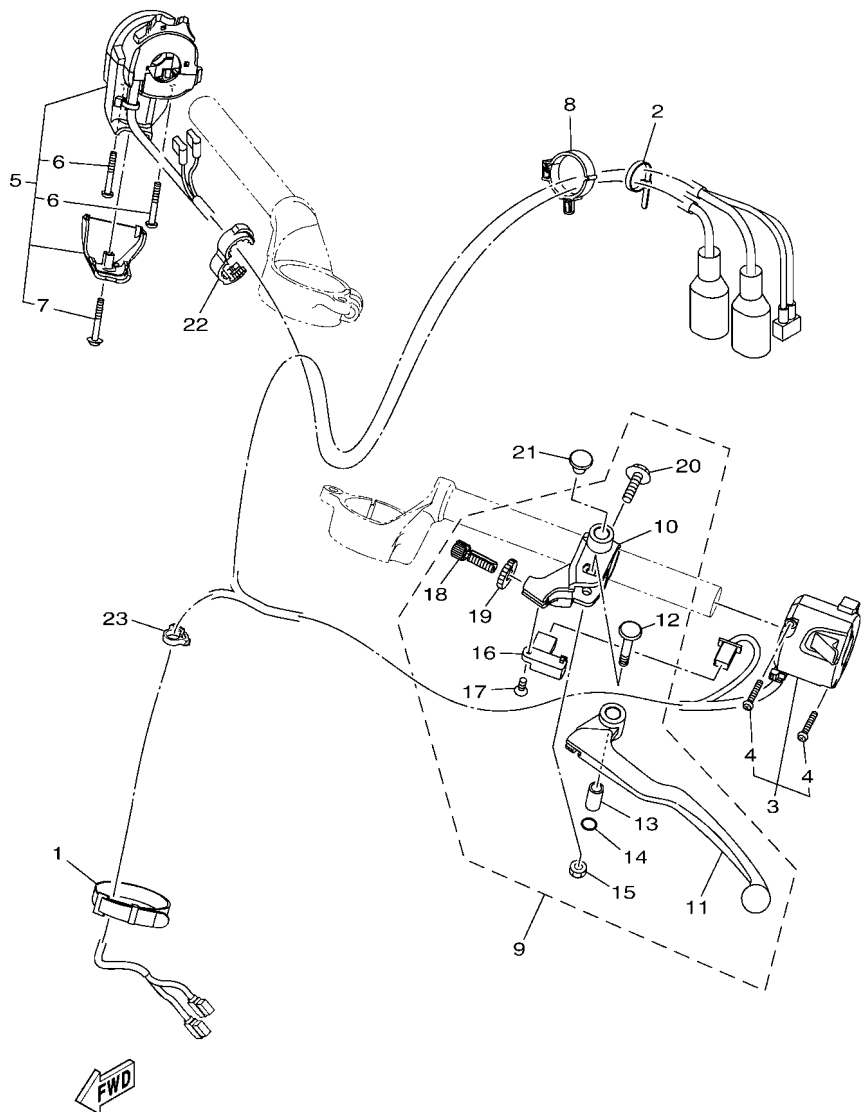


BS71460-U400

FIG. 40 TAILLIGHT

REF. NO.	PART NO.	DESCRIPTION	B4PS				REMARKS
1	1WD-H4710-02	TAILLIGHT UNIT ASSY	1				
2	90111-06117	BOLT,HEX. SOCKET BUTTON	2				
3	90387-067V1	COLLAR	2				
4	90480-13001	GROMMET	2				
5	90183-05807	NUT, SPRING	2				
6	90480-10003	GROMMET	2				
7	1WD-F1732-00	SEAL 1	1				
8	BS7-H4740-00	LICENCE LIGHT ASSY	1				
9	1WD-H4744-00	.BULB (12V-5W)	1				
10	1WD-H4547-00	.CORD, LICENCE LIGHT	1				
11	1WD-H4726-00	.SCREW	2				
12	1WD-H4753-00	DAMPER	1				
13	97707-40020	SCREW, TAPPING	2				
14	90201-04804	WASHER, PLATE	2				
15	90480-11009	GROMMET	2				
16	90387-05042	COLLAR	2				

**FIG. 41 HANDLE SWITCH & LEVER**



B4P3440-W410

REF. NO.	PART NO.	DESCRIPTION	B4PS				REMARKS
1	3AY-H3936-00	BAND, SWITCH CORD	1				
2	90464-36005	CLAMP	1				
3	BS7-H3972-00	SWITCH, HANDLE 4	1				
4	98507-04025	.SCREW, PAN HEAD	2				
5	BS7-H3975-00	SWITCH, HANDLE 2	1				
6	98507-04030	.SCREW, PAN HEAD	2				
7	97607-04230	.SCREW, WITH WASHER	1				
8	90464-30001	CLAMP	1				
9	1WD-H2910-00	LEVER HOLDER ASSY (LEFT)	1				
10	1WD-H2911-00	.HOLDER, LEVER 1	1				
11	1WD-H3912-00	.LEVER 1	1				
12	31A-83945-00	.BOLT, LEVER	1				
13	31A-83913-00	.COLLAR, LEVER 1	1				
14	93210-108H5	.O-RING	1				
15	95602-06100	.NUT, SELF-LOCKING	1				
16	5BP-H2917-00	.SWITCH	1				
17	90151-03005	.SCREW, COUNTERSUNK	1				
18	90123-08083	.BOLT	1				
19	90179-08316	.NUT	1				
20	97507-06525	.BOLT, WITH WASHER	1				
21	90338-09012	PLUG	1				
22	90464-13227	CLAMP	1				
23	90464-22800	CLAMP	1				

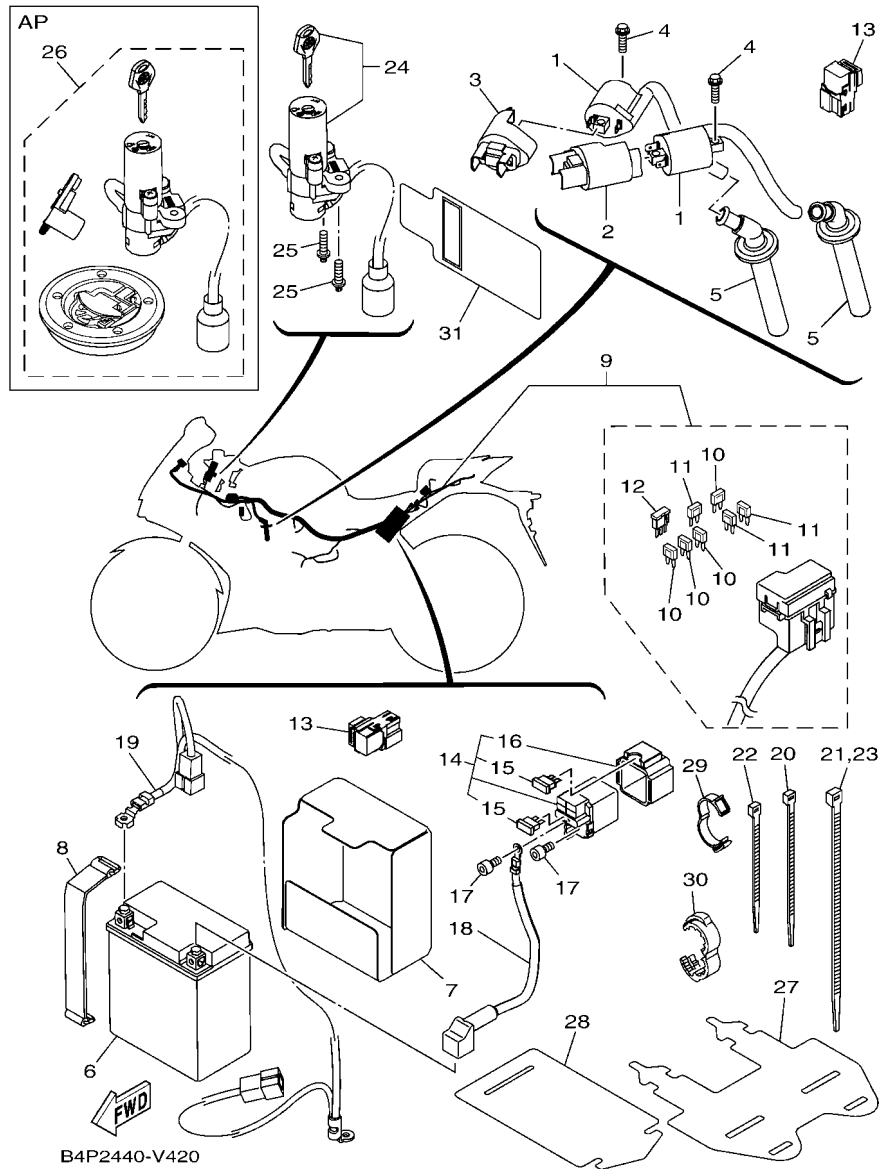
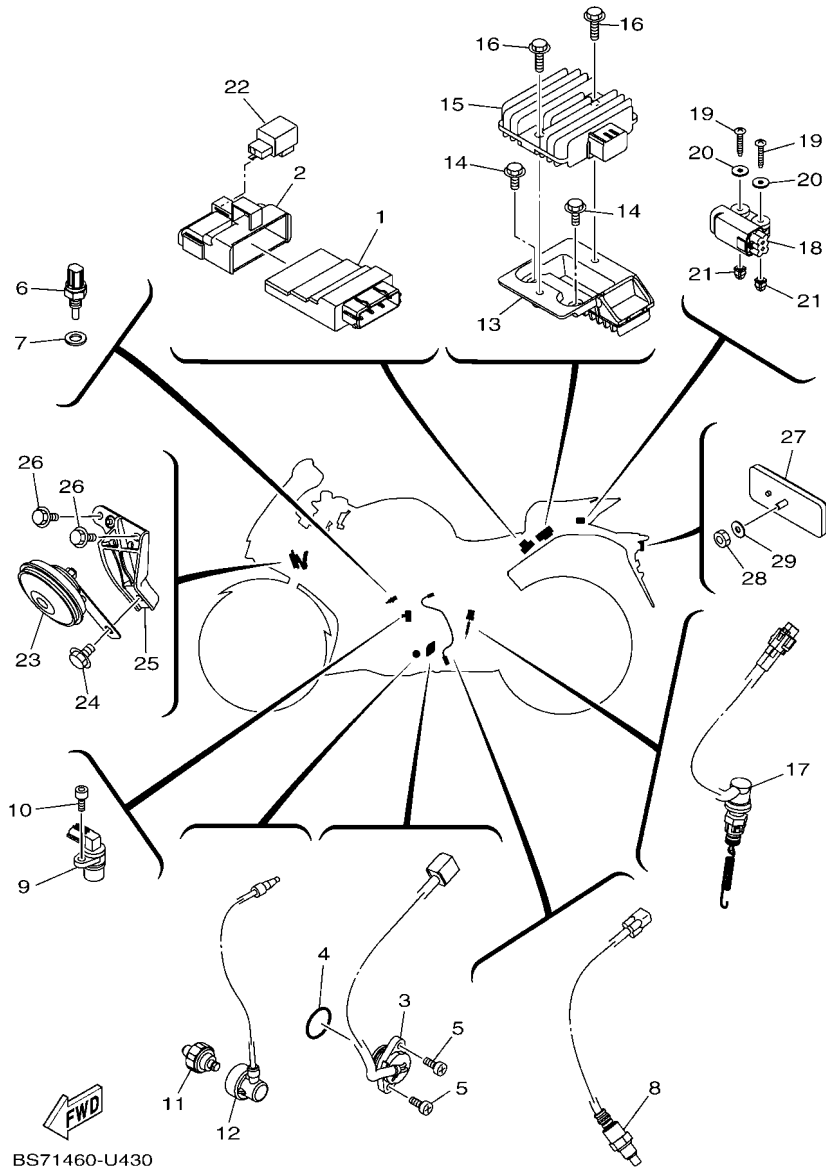


FIG. 42 ELECTRICAL 1

REF. NO.	PART NO.	DESCRIPTION	B4PS	REMARKS
1	1WD-H2310-00	IGNITION COIL ASSY	2	
2	B04-H2314-00	COVER, IGNITION COIL	1	
3	B04-H2314-10	COVER, IGNITION COIL	1	
4	95022-06020	BOLT, FLANGE	2	
5	1WD-H2370-00	PLUG CAP ASSY	2	
6	2YD-H2100-00	BATTERY ASSY (GS GTZ8V)	1	
7	1WD-H2121-00	PAD, BATTERY	1	
8	1WD-H2131-00	BAND, BATTERY	1	
9	BS7-H2590-00	WIRE HARNESS ASSY	1	
10	1WD-H2151-20	.FUSE (7.5A BL)	4	
11	1WD-H2151-10	.FUSE (15A-BL)	3	
12	4B4-H1980-00	.DIODE ASSY	1	
13	1WD-H1950-00	RELAY ASSY	2	
14	1WD-H1940-00	STARTER RELAY ASSY	1	
15	1WD-H2151-01	.FUSE (30A)	2	
16	1WD-H2155-00	.BAND	1	
17	91312-05008	BOLT, HEXAGON SOCKET HEAD	2	
18	1WD-H2115-00	WIRE, PLUS LEAD	1	
19	1WD-H2116-01	WIRE, MINUS LEAD	1	
20	90464-36800	CLAMP	2	
21	90464-70800	CLAMP	7	
22	90464-22800	CLAMP	1	
23	90464-70800	CLAMP	1	
24	BS7-H2501-00	MAIN SWITCH STEERING LOCK	1	
25	90109-060G4	BOLT	2	
26	BS7-XH250-00	MAIN SW. STRG. LOCK SUB ASSY	1	AP
27	1WD-F179E-00	BAND	1	



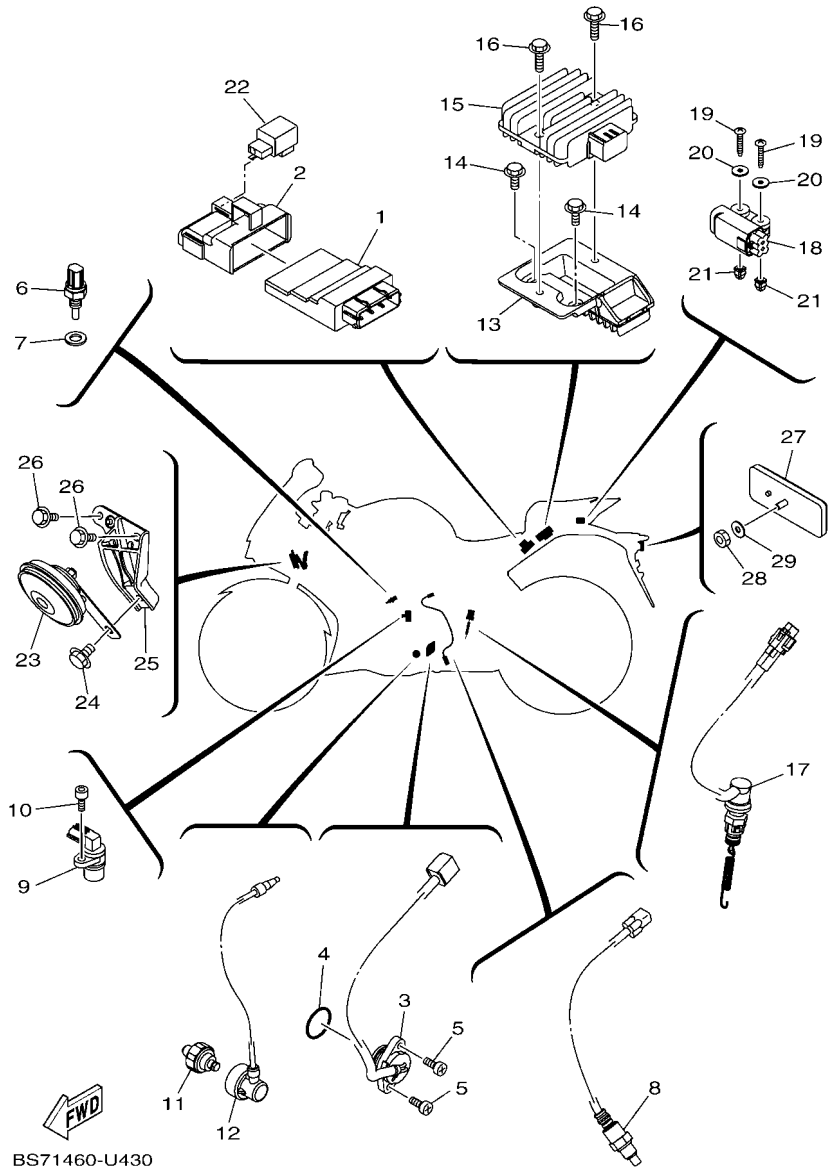


BS71460-U430

FIG. 43 ELECTRICAL 2

REF. NO.	PART NO.	DESCRIPTION	B4PS	REMARKS
1	1WD-H591A-01	ENGINE CONTROL UNIT ASSY	1	
2	1WD-H5546-00	BAND	1	
3	1WD-H2540-00	NEUTRAL SWITCH ASSY	1	
4	93210-21801	O-RING	1	
5	98502-05016	SCREW,PAN HEAD	2	
6	54P-H3591-00	THERMO UNIT	1	
7	90430-10804	GASKET	1	
8	1WD-H592A-00	SENSOR, OXYGEN	1	
9	1WD-H3755-00	SENSOR, SPEED	1	
10	91332-06016	BOLT	1	
11	1WS-82504-00	OIL PRESSURE SWITCH ASSY	1	
12	1WD-H1315-01	LEAD WIRE ASSY	1	
13	1WD-H1961-00	COVER	1	
14	95D02-06016	BOLT, FLANGE DEEP RECESS	2	
15	1WD-H1960-00	RECTIFIER & REGULATOR ASSY	1	
16	95D02-06025	BOLT, FLANGE DEEP RECESS	2	
17	1WD-H2530-10	STOP SWITCH ASSY	1	
18	1WD-H2576-00	SENSOR, LEAN ANGLE	1	
19	90160-04009	SCREW, ROUND TAPPING	2	
20	90201-04028	WASHER, PLATE	2	
21	4B4-84334-00	NUT, ADJUSTING	2	
22	4WA-83350-01	FLASHER RELAY ASSY	1	
23	1WD-H3371-00	HORN	1	
24	95D07-08012	BOLT, FLANGE DEEP RECESS	1	
25	1WD-H3378-00	STAY, HORN	1	
26	95D07-06016	BOLT, FLANGE DEEP RECESS	2	
27	3C1-H5130-00	REAR REFLECTOR ASSY	1	





BS71460-U430

**FIG. 43 ELECTRICAL 2**

REF. NO.	PART NO.	DESCRIPTION	B4PS	REMARKS
28	95602-05100	NUT, U	1	
29	90201-05043	WASHER, PLATE	1	
<hr/>				
<hr/>				
<hr/>				
<hr/>				
<hr/>				
<hr/>				
<hr/>				
<hr/>				
<hr/>				

NUMERICAL INDEX

PART NO.	REF. NO.	PART NO.	REF. NO.	PART NO.	REF. NO.	PART NO.	REF. NO.	PART NO.	REF. NO.	PART NO.	REF. NO.
1WD-11411-00	2 - 1	5VY-1482K-00	1 - 19	1KB-8333A-00	37 - 4	1WD-E2420-00	5 - 1	BS7-E4602-00	9 - 1	1WD-E7131-00	14 - 5
1WD-11413-00	2 - 23	2H7-15361-00	5 - 18		37 - 17	1WD-E2422-00	5 - 14	1WD-E4613-00	9 - 19	1WD-E7151-00	14 - 2
1WD-11413-10	2 - 23	1WD-16382-00	13 - 19	1KB-8334A-00	37 - 8	1WD-E2428-00	5 - 15	1WD-E4628-00	9 - 23	1WD-E7161-00	14 - 6
1WD-11413-20	2 - 23	1WD-17424-00	14 - 28		37 - 13	1WD-E2450-00	5 - 6	1WD-E4710-00	9 - 4	1WD-E7211-00	14 - 23
1WD-11413-30	2 - 23	278-17425-00	14 - 12	4WA-83350-01	43 - 22	1WD-E2453-00	5 - 7	54D-E4714-00	9 - 13	1WD-E7221-00	14 - 14
1WD-11413-40	2 - 23		14 - 29	31A-83913-00	41 - 13	33S-E2456-00	5 - 9	1WD-E4715-00	9 - 14	1WD-E7231-00	14 - 18
1WD-11416-00	2 - 10	26P-21568-11	23 - 25	31A-83945-00	41 - 12	1WD-E2461-00	6 - 8	1WD-E4728-00	9 - 8	1WD-E7241-00	14 - 19
1WD-11416-10	2 - 10	1WD-22141-00	20 - 2	4B4-84334-00	43 - 21	1WD-E2486-09	6 - 6	1WD-E473L-00	9 - 2	1WD-E7251-00	14 - 22
1WD-11416-20	2 - 10	3AH-22222-00	22 - 23	1WS-85801-00	8 - 9	1WD-E2577-00	6 - 4	5TP-E4747-00	17 - 29	1WD-E7261-00	14 - 17
1WD-11416-30	2 - 10	31A-23125-31	22 - 8	1WD-E1102-20	1 - 1	1WD-E2578-00	6 - 5		31 - 48	1WD-E7402-00	14 - 13
1WD-11416-40	2 - 10		22 - 30	1WD-E111G-00	1 - 15	5P0-E2590-00	6 - 12	1WD-E4758-00	9 - 5	1WD-E7411-00	14 - 1
1WD-11650-00	2 - 2	31A-23149-31	22 - 7		1 - 24	1WD-E2671-00	6 - 10	1WD-E4763-00	9 - 12	1WD-E7460-00	14 - 31
5SL-11654-00	2 - 3		22 - 29	1WD-E1133-10	1 - 2	5YP-E2675-00	6 - 11	1WD-E4840-00	1 - 30	1WD-E8101-00	16 - 4
1WD-11656-00	2 - 5	3R4-23153-00	22 - 5	1WD-E1181-00	1 - 12	1WD-E2681-00	5 - 12	1WD-E4881-00	1 - 31	1WD-E8110-00	16 - 11
1WD-11656-10	2 - 5		22 - 27	1WD-E1191-00	1 - 16	1WD-E319L-00	5 - 10	1WD-E4882-01	1 - 33	1WD-E8111-00	16 - 12
1WD-11656-20	2 - 5	4V4-23188-L0	22 - 19	1WD-E1193-00	1 - 18	1WD-E3300-01	7 - 1	1WD-E4890-00	1 - 20	1WD-E8112-00	16 - 17
1WD-11656-30	2 - 5		22 - 36	4YS-E1198-00	7 - 15	1WD-E3341-00	7 - 3	1WD-E4899-00	1 - 21	1EG-E8113-01	16 - 13
1WD-12113-00	3 - 4	3FV-23462-00	22 - 39	1WD-E1311-10	1 - 25	1WD-E3342-00	7 - 4	1WD-E5148-00	10 - 4	1WD-E8115-00	16 - 14
1HX-12168-F0	3 - 9	3C1-24512-00	23 - 37	1WD-E1351-00	1 - 26	1WD-E3410-00	7 - 9	1WD-E5150-10	10 - 1	1WD-E8127-10	16 - 2
1HX-12168-H1	3 - 9	5YT-24665-00	34 - 24	1WD-E1361-00	1 - 8	1WD-E3414-00	7 - 16	1WD-E5155-00	10 - 13	1WD-E8140-00	16 - 8
1HX-12168-K1	3 - 9		34 - 29	1WD-E1411-00	2 - 1	1WD-E3415-00	7 - 10	1WD-E5362-00	5 - 19	1WD-E8175-00	16 - 3
1HX-12168-M1	3 - 9	1WD-25181-00	25 - 9	1WD-E1454-00	2 - 22	1WD-E3417-00	7 - 13	1WD-E5373-01	8 - 40	1WD-E8337-00	16 - 1
1HX-12168-R1	3 - 9	1WD-25381-00	27 - 19	1WD-E1496-00	2 - 18	1WD-E3440-10	7 - 11	BS7-E5377-00	11 - 21	1WD-E8511-00	15 - 4
1HX-12168-U1	3 - 9	5MT-25398-00	25 - 7	1WD-E1531-00	2 - 15	54P-E3474-00	8 - 35	1WD-E5411-00	11 - 1	1WD-E8512-00	15 - 5
1HX-12168-W1	3 - 9		27 - 18	1WD-E1536-00	2 - 6	1WD-E3543-01	8 - 37	1WD-E5413-10	11 - 16	1WD-E8513-00	15 - 6
1HX-12168-Y1	3 - 9	5MT-25398-10	25 - 7	1WD-E1549-00	2 - 7	1WD-E3556-00	8 - 6	1WD-E5418-00	11 - 22	1WD-E8531-00	15 - 7
1HX-12169-11	3 - 9		27 - 18	BS8-E1603-00	2 - 12	1WD-E3573-00	8 - 13	1WD-E5421-00	5 - 2	1WD-E8536-00	15 - 9
1HX-12169-31	3 - 9	5MT-25398-20	25 - 7	1WD-E1631-01	2 - 11	1WD-E3586-00	8 - 1	1WD-E5441-00	11 - 14	1WD-E8540-10	15 - 1
1HX-12169-50	3 - 9		27 - 18	1WD-E1633-00	2 - 13	1WD-E3750-01	8 - 5	1WD-E5451-00	11 - 7	5TP-E8542-00	15 - 2
1HX-12169-70	3 - 9	1WD-25802-00	26 - 4	1WD-E2111-00	3 - 1	1WD-E3761-00	8 - 7	1WD-E5461-00	11 - 10	1WD-E8562-00	15 - 10
1HX-12169-90	3 - 9	1WD-25802-50	28 - 4	1WD-E2117-00	3 - 5	BS7-E3907-01	23 - 33	1WD-E5462-00	11 - 17	1WD-F1110-12	17 - 1
1HX-12169-E0	3 - 9	1WD-25803-00	26 - 5	3S0-E2118-00	3 - 6	3C1-E3915-00	23 - 34	1WD-E5514-00	12 - 1	1WD-F112C-00	17 - 2
1HX-12169-G0	3 - 9	1WD-25803-50	28 - 5	1PA-E2119-00	3 - 8	1WD-E3938-00	8 - 20	1WD-E5515-10	12 - 3	B5L-F113J-00	18 - 10
1HX-12169-J0	3 - 9	1WD-25805-00	26 - 12	BS8-E2119-00	3 - 7	1WD-E3971-02	23 - 41	44D-E5521-00	12 - 2	B5L-F113K-01	18 - 11
1HX-12169-L0	3 - 9	1WD-25806-00	28 - 15	1WD-E2121-00	3 - 2	54P-E416A-00	8 - 10	1WD-E5580-00	12 - 4	1WD-F1171-00	17 - 16
1HX-12169-N0	3 - 9	5RB-25854-00	30 - 3	1WD-E2126-00	3 - 3	1WD-E4243-00	8 - 19	1WD-E6111-00	13 - 1	1WD-F117G-00	17 - 3
1HX-12169-T0	3 - 9	36Y-2589H-00	30 - 5	1WD-E2153-11	3 - 10	1WD-E4411-00	8 - 21	1WD-E6150-00	13 - 2	1WD-F117K-00	24 - 12
1WD-12210-01	4 - 6	5KN-25926-01	28 - 17	1WD-E2170-01	4 - 1	1WD-E4412-00	8 - 25	1WD-E6154-00	13 - 3	BS7-F117V-00	34 - 19
5P0-12411-00	6 - 1	34X-25937-00	28 - 7	1WD-E2176-00	4 - 3	1WD-E4422-00	8 - 29	1WD-E6181-00	13 - 13	BS7-F117W-00	34 - 21
5NL-12564-00	1 - 27	4SS-27218-00	32 - 3	1WD-E2180-01	4 - 2	1WD-E4437-00	8 - 24	1WD-E6324-00	13 - 6	1WD-F122A-00	17 - 23
8GL-13571-00	8 - 14	3KW-27234-00	32 - 8	1WD-E2213-00	4 - 9	52B-E443E-00	8 - 33	1WD-E6331-00	13 - 5	1WD-F122B-00	17 - 24
5JW-14104-00	8 - 16	4BP-27261-00	31 - 25	33S-E2223-00	5 - 8	40D-E443G-00	27 - 28	1WD-E6333-10	13 - 8	1WD-F135F-00	17 - 14
8A7-14139-00	8 - 18	1WS-82504-00	43 - 11	1WD-E2241-00	1 - 17	1WD-E4451-00	8 - 32	1WD-E6337-00	13 - 9	1WD-F144G-00	31 - 28
5PS-14147-00	8 - 8	2D1-82589-00	42 - 31	1WD-E2251-00	4 - 11	1WD-E4452-00	8 - 26	1WD-E6340-00	13 - 15	1WD-F153E-50	18 - 6
895-14169-00	8 - 17	1KB-83311-00	37 - 2	1WD-E2252-00	4 - 12	1WD-E4457-00	8 - 27	1WD-E6350-01	13 - 7	1WD-F1611-02	18 - 15
1WS-14335-00	8 - 11		37 - 6	1WD-E2256-00	4 - 14	1WD-E4462-00	8 - 30	1WD-E6356-00	13 - 14	1WD-F1617-00	18 - 23
8HG-14534-00	8 - 15		37 - 11	1WD-E2405-00	6 - 9	1WD-E4469-00	8 - 22	1WD-E6371-00	13 - 4	1WD-F1621-00	18 - 33
4XY-14568-00	23 - 50		37 - 15	1WD-E2413-00	6 - 2	1WD-E446C-00	8 - 23	1WD-E7121-00	14 - 7	1WD-F1629-01	18 - 22

NUMERICAL INDEX

PART NO.	REF. NO.	PART NO.	REF. NO.	PART NO.	REF. NO.	PART NO.	REF. NO.	PART NO.	REF. NO.	PART NO.	REF. NO.
1WD-F163A-00	18 - 35	BS7-F3111-00	22 - 18	1WD-F4711-01	24 - 2	50C-F5894-10	32 - 9	1WD-F7461-00	31 - 19	1WD-H1450-00	35 - 1
1WD-F163E-00	18 - 20		22 - 35	3C1-F4741-00	24 - 6	1WD-F5895-50	32 - 13	1WD-F8100-00	24 - 15	1WD-H1800-00	36 - 1
1WD-F1652-00	17 - 4	BK6-F3117-00	22 - 15	5BP-F4741-00	24 - 3	50C-F589A-00	32 - 15	31B-F8307-00	19 - 2	1WD-H1801-00	36 - 2
B17-F1668-00	20 - 17	BS7-F3118-00	22 - 16	1WD-F4750-01	24 - 5	1WD-F5914-50	28 - 16		19 - 11	1WD-H1828-00	36 - 4
1WD-F1669-00	18 - 16	BS7-F3120-00	22 - 21	1WD-F4780-00	24 - 7	5YP-F5917-00	26 - 8		23 - 30	4FP-H182L-00	36 - 6
1WD-F1688-00	18 - 28	B9T-F3126-00	22 - 10	1WD-F478E-00	24 - 10		28 - 6		33 - 10	1WD-H183G-00	36 - 5
1WD-F1689-00	18 - 29		22 - 32	1WD-F4792-00	24 - 8	1WD-F5919-00	26 - 10	BS7-F8327-00	33 - 20	1WD-H1861-00	36 - 3
1WD-F16A2-00	18 - 19	BS7-F3126-10	22 - 10	1WD-F510C-01	25 - 2	1WD-F5919-50	28 - 9		33 - 24	1WD-H1940-00	42 - 14
BS7-F171E-00	19 - 39		22 - 32	1WD-F5168-03-P0	25 - 1	1WD-F5921-51	28 - 12	1WD-F8328-60	34 - 63	1WD-H1801-00	42 - 13
1WD-F171L-00	19 - 19	BS7-F3141-00	22 - 14	1WD-F5168-03-P2	25 - 1	5YP-F5924-00	26 - 11	BS7-F833E-00	34 - 45	1WD-H1960-00	43 - 15
1WD-F171M-00	19 - 22		22 - 24	1WD-F5338-03-P0	27 - 1	1WD-F5924-50	28 - 10	BS7-F8356-00	33 - 25	1WD-H1961-00	43 - 13
1WD-F171N-00	19 - 25	B48-F3144-00	22 - 4	1WD-F5338-03-P2	27 - 1	5YP-F5925-01	26 - 9	BS7-F835G-00	33 - 3	4B4-H1980-00	42 - 12
BS7-F171X-00	19 - 44		22 - 26	1WD-F5364-00	27 - 5		28 - 11	BS7-F835U-00-P3	34 - 23	2YD-H2100-00	42 - 6
BS7-F172G-00-P0	34 - 1	BK6-F3145-00	22 - 6	1WD-F5366-00-P0	27 - 6	5YP-F5937-00	26 - 7	BS7-F835U-00-P7	34 - 23	1WD-H2115-00	42 - 18
BS7-F172G-00-P3	34 - 1		22 - 28	1WD-F5366-00-P3	27 - 6	1WD-F5939-51	28 - 13	BS7-F835V-00-P3	34 - 28	1WD-H2116-01	42 - 19
BS7-F172H-00-P0	34 - 11	2BU-F3158-00	22 - 12	1WD-F5377-00	27 - 9	1WD-F5939-61	28 - 14	BS7-F835V-00-P7	34 - 28	1WD-H2121-00	42 - 7
BS7-F172H-00-P3	34 - 11	BS7-F3170-00	22 - 11	1WD-F537W-00	27 - 11	BS7-F6121-00	29 - 1	B17-F836B-30	19 - 49	5D9-H2126-00	23 - 8
BS7-F172W-00	19 - 34	BK6-F3171-00	22 - 9	1WD-F537X-00	27 - 12	BS7-F6122-00	29 - 5	BS7-F836K-00	34 - 47	1WD-H2131-00	42 - 8
1WD-F1731-00-P7	19 - 37		22 - 31	1WD-F5383-00	27 - 21	BS7-F612N-00	17 - 30	BS7-F836L-00	34 - 49	5TL-H2131-00	24 - 16
1WD-F1731-00-P8	19 - 37	31B-F3181-00	22 - 13	1PA-F5386-00	25 - 8	BS7-F6131-00	29 - 17	BS7-F836M-00	34 - 51	1WD-H2151-01	42 - 15
1WD-F1732-00	40 - 7	BK6-F319U-00	22 - 25	1WD-F5386-00	27 - 20	1S7-F622F-00	29 - 12	BS7-F836N-00	33 - 17	1WD-H2151-10	42 - 11
BS7-F173E-20	19 - 7	BK6-F330G-00	22 - 22	1WD-F5388-00	27 - 24	2MS-F622H-00	29 - 11	BS7-F836R-00	33 - 21	1WD-H2151-20	42 - 10
BS7-F173E-50	19 - 7	BK6-F332K-00	22 - 33	1WD-F539F-00	27 - 13	1WD-F6240-00	29 - 10	1WD-F8376-00	33 - 11	1WD-H2155-00	42 - 16
BS7-F173F-20	19 - 16	BS7-F3340-00	22 - 37	1WD-F5443-00	27 - 10	2DP-F6241-00	29 - 9	44D-F8379-00	34 - 9	1WD-H2310-00	42 - 1
BS7-F173F-50	19 - 16	BK6-F3357-00	22 - 17	1WD-F5807-00	30 - 2	1WD-F6246-00	29 - 14		34 - 18	B04-H2314-00	42 - 2
1WD-F179E-00	42 - 27	BK6-F3393-00	22 - 34	1WD-F5808-00	32 - 2	1S7-F6257-00	29 - 13	BS7-F837V-00	34 - 53	B04-H2314-10	42 - 3
1WD-F1816-02	19 - 31	5BP-F3416-10	21 - 2	1WD-F580E-00	32 - 1	BS7-F6280-00	33 - 27	BS7-F837W-00	34 - 56	1WD-H2370-00	42 - 5
1WD-F1817-01	19 - 32	5BP-F3418-00	21 - 5	1WD-F580U-00	26 - 3	BS7-F6290-00	33 - 28	BS7-F8381-00	33 - 1	BS7-H2501-00	42 - 24
3C1-F1828-00	19 - 30	BS7-F3435-00	21 - 6	1WD-F580W-01	28 - 3	BS7-F6301-01	29 - 18	BS7-F8385-00-P3	34 - 33	1WD-H2530-10	43 - 17
1WD-F1871-01	19 - 27	BS7-F3818-00	30 - 19	1WD-F581U-01	26 - 1	1WD-F6335-00	29 - 16	BS7-F8385-00-P7	34 - 33	1WD-H2540-00	43 - 3
1WD-F1875-01	19 - 29	BS7-F4110-00	23 - 1	50C-F582A-50	32 - 5	1WD-F7211-00	31 - 24	BS7-F838N-00	39 - 8	1WD-H2576-00	43 - 18
1WD-F191B-00	17 - 8	BS7-F412Y-00	23 - 6	B04-F582E-00	32 - 21	50C-F7222-00	32 - 4	BS7-F8391-50	34 - 59	BS7-H2590-00	42 - 9
1WD-F193A-00	17 - 5	1WD-F413B-00	23 - 31	1WD-F582W-00	28 - 1	BS8-F7261-00	16 - 18	BS7-F8391-80	33 - 13	1WD-H2591-00	42 - 28
1WD-F2110-00	20 - 1	1WD-F414E-00	33 - 12	5TL-F5838-00	28 - 18	1WD-F7311-00	31 - 1	BS7-F8392-50	34 - 60	1WD-H2910-00	41 - 9
1WD-F2129-01	20 - 3	BS7-F414E-00	23 - 5	1WD-F5852-00	30 - 4	1WD-F7321-10	31 - 2	BS7-F8392-80	33 - 14	1WD-H2911-00	41 - 10
1WD-F2151-00	20 - 7	5D9-F414G-00	17 - 6	1WD-F5852-50	32 - 12	1WD-F7430-01	31 - 32	BS7-F8393-60	34 - 59	5BP-H2917-00	41 - 16
1WD-F2174-00	27 - 25	BS7-F4188-00	23 - 2	2VN-F5854-00	32 - 10	1WD-F7431-01	31 - 33	BS7-F8394-60	34 - 60	BS7-H3310-10	37 - 1
1WD-F2184-00	20 - 4	BS7-F4191-10	23 - 11	3C1-F5855-00	30 - 7	1WD-F7435-00	31 - 11	BS7-F8395-00-P3	34 - 39	1WD-H3318-00	37 - 18
BS7-F2210-00	20 - 14	BS7-F4244-30	23 - 32	50C-F5855-00	32 - 11		31 - 20	BS7-F8395-00-P7	34 - 39	BD6-H3318-10	37 - 9
1WD-F2311-01	20 - 11	1WD-F4312-01	23 - 42	50C-F5866-00	32 - 6	1WD-F7437-00	31 - 36	BS7-F8398-50	34 - 61	BS7-H3320-10	37 - 5
1WD-F248B-00	20 - 9	1WD-F4313-02	23 - 47	3RW-F5867-00	30 - 6		31 - 44	BS7-F8399-50	34 - 62	1WD-H3330-10	37 - 10
BS7-F3100-00	22 - 1	B9T-F4314-00	23 - 43	1WD-F5870-00	30 - 1	1WD-F7440-01	31 - 40	BS7-F8415-00	34 - 10	3D9-H3333-10	37 - 3
BS7-F3100-10	22 - 1	1WD-F4315-02	23 - 48	BS7-F5872-00	30 - 15	1WD-F7441-01	31 - 41		34 - 17		37 - 7
BS7-F3102-00	22 - 2	1WD-F4376-00	23 - 45	1WD-F5873-00	32 - 22	1WD-F7442-01	31 - 9	BK6-F8483-00	33 - 29		37 - 12
BS7-F3102-10	22 - 2	3C1-F4486-00	23 - 39	BS7-F5875-00	30 - 18	1WD-F7443-00	31 - 18	BS7-F8484-00	33 - 30		37 - 16
BS7-F3103-00	22 - 20	BS7-F4491-00	23 - 38	BS7-F587A-00	30 - 23	1WD-F7445-00	31 - 15	BS7-F8485-00	33 - 31	1WD-H3340-10	37 - 14
BS7-F3103-10	22 - 20	3C1-F4519-00	23 - 36	1WD-F5887-00	32 - 25	1WD-F7446-00	31 - 31	1WD-H1315-01	43 - 12	1WD-H3371-00	43 - 23
BS7-F3110-00	22 - 3	1WD-F4710-02	24 - 1	BS7-F5887-00	30 - 24	1WD-F7451-00	31 - 10	BS7-H1410-00	35 - 2	1WD-H3378-00	43 - 25

NUMERICAL INDEX

PART NO.	REF. NO.	PART NO.	REF. NO.	PART NO.	REF. NO.	PART NO.	REF. NO.	PART NO.	REF. NO.	PART NO.	REF. NO.
BS7-H3500-02	38 - 1	90105-088G0	10 - 7	90116-10065	27 - 14	90201-06088	9 - 17	90282-04036	2 - 17	90430-08119	1 - 6
BS7-H350E-00	38 - 9	90105-088G7	9 - 21	90119-06309	23 - 26	90201-06380	34 - 6	90338-05010	29 - 4	90430-08143	11 - 4
BS7-H3519-00	38 - 5	90105-106A7	31 - 5	90119-06810	19 - 9	90201-08083	32 - 17		29 - 8	90430-10804	43 - 7
BS7-H3571-01	38 - 2	90105-10883	2 - 8		19 - 18	90201-08612	9 - 22		33 - 34	90445-217G3	31 - 8
BS7-H3572-01	38 - 3		35 - 4		34 - 4	90201-10021	16 - 20	90338-06018	19 - 40	90450-28001	6 - 7
54P-H3591-00	43 - 6	90105-10889	17 - 11		34 - 14		31 - 26		19 - 45	90450-55804	8 - 4
1WD-H3755-00	43 - 9	90105-10891	17 - 12	90123-08083	41 - 18	90201-10118	30 - 17	90338-09012	30 - 14	90462-08225	11 - 24
1WD-H3912-00	41 - 11	90105-12093	20 - 15	90149-10804	26 - 13		32 - 24		41 - 21	90462-08806	11 - 20
1WD-H3922-00	30 - 8	90105-12309	20 - 8	90150-05023	33 - 15	90201-10119	7 - 6	90338-16262	10 - 2	90462-08810	7 - 18
3AY-H3936-00	41 - 1	90105-14102	21 - 7	90151-03005	41 - 17	90201-10843	13 - 16	90338-23801	17 - 15	90462-08819	11 - 19
BS7-H3972-00	41 - 3	90109-05003	18 - 34	90159-06054	24 - 13	90201-10845	1 - 9	90340-12808	7 - 14	90464-12015	17 - 22
BS7-H3975-00	41 - 5	90109-060G4	42 - 25	90160-04009	43 - 19	90201-10848	2 - 9	90340-12813	1 - 4	90464-13227	41 - 22
2DP-H3980-01	30 - 11	90109-063F1	18 - 17	90160-05810	19 - 38		35 - 5	90340-32819	11 - 5		42 - 30
BS7-H4300-00	39 - 1	90109-06577	30 - 10	90170-06023	16 - 15	90201-10854	17 - 10	90387-05042	40 - 16	90464-16006	18 - 14
BS7-H4300-10	39 - 2	90109-06898	1 - 14	90170-18221	13 - 11	90201-127E1	16 - 7	90387-06131	33 - 33		38 - 10
1WD-H4547-00	40 - 10	90109-06899	1 - 23	90176-06065	30 - 22	90201-16812	2 - 19	90387-06242	20 - 12	90464-16012	23 - 46
1WD-H4710-02	40 - 1	90109-068B2	23 - 27	90179-05849	33 - 2	90201-17809	27 - 23	90387-06273	9 - 10	90464-22800	41 - 23
1WD-H4726-00	40 - 11	90109-085G6	31 - 17	90179-07652	2 - 4	90201-20023	14 - 32	90387-064W3	6 - 15		42 - 22
BS7-H4740-00	40 - 8		31 - 30	90179-08316	41 - 19	90201-20276	14 - 25	90387-066J9	18 - 30	90464-26001	42 - 29
1WD-H4744-00	40 - 9	90110-05806	23 - 17	90179-10805	17 - 13	90201-22013	13 - 12	90387-067V1	40 - 3	90464-30001	41 - 8
1WD-H4753-00	40 - 12	90110-06161	4 - 13	90179-20013	14 - 33	90202-05088	33 - 16	90387-06857	19 - 28	90464-30009	17 - 21
2FC-H5111-00	18 - 12		4 - 15	90179-25615	21 - 3	90202-26142	21 - 4	90387-06899	18 - 3		32 - 27
3C1-H5130-00	43 - 27		12 - 5	90183-05076	18 - 18	90206-14001	16 - 19		18 - 5	90464-36005	41 - 2
1WD-H5546-00	43 - 2	90110-06182	15 - 11	90183-050A7	18 - 25	90209-25011	14 - 15		19 - 5	90464-36800	42 - 20
BS7-H5752-00	23 - 35	90110-06870	1 - 10		19 - 3	90214-22008	14 - 3		19 - 14	90464-70800	42 - 21
1WD-H591A-01	43 - 1	90110-06882	10 - 11		19 - 12		14 - 20		23 - 22		42 - 23
1WD-H592A-00	43 - 8	90110-08071	31 - 39		34 - 8	90215-18800	13 - 10		34 - 3	90467-08003	19 - 33
4C9-W0048-00	26 - 6		31 - 47		34 - 16	90240-08124	32 - 16		34 - 13	90467-09006	23 - 49
5YP-W0048-50	28 - 8	90111-05003	19 - 35	90183-05807	19 - 4	90240-08145	31 - 13		34 - 35	90467-110A3	8 - 34
BS7-WF461-00	23 - 16		19 - 41		19 - 13		31 - 22		34 - 41	90467-12052	8 - 39
1WD-WF479-00	24 - 11		19 - 46		33 - 8		31 - 37	90387-068L9	18 - 31	90467-12085	32 - 14
BS7-XF151-10-P8	18 - 1		33 - 19		34 - 26		31 - 45	90387-068M3	23 - 8	90467-13802	8 - 38
BS7-XF151-20-P6	18 - 1		33 - 23		34 - 31	90269-05005	39 - 11	90387-068N4	9 - 16		8 - 41
1WD-XF171-00-P9	19 - 1	90111-05018	18 - 27		34 - 37	90269-05008	17 - 31	90387-068S8	23 - 13	90467-15012	23 - 44
1WD-XF171-00-PB	19 - 1	90111-05021	18 - 24		34 - 43	90269-06816	18 - 21	90387-07819	17 - 18	90467-16800	1 - 35
1WD-XF172-00-P9	19 - 10	90111-06013	31 - 16		39 - 9		18 - 36	90387-087L0	9 - 25	90467-16801	1 - 32
1WD-XF172-00-PB	19 - 10	90111-06117	34 - 36		40 - 5		19 - 8	90387-08813	17 - 28		1 - 34
BS7-XF17D-00-P6	23 - 29		34 - 42	90183-05M02	34 - 38		19 - 17		31 - 49	90480-01559	23 - 23
BS7-XF17D-40-P0	23 - 29		40 - 2		34 - 44		19 - 21	90387-10010	31 - 6	90480-01806	23 - 19
BS7-XF41D-30-P6	23 - 20	90111-06119	20 - 13	90183-06011	9 - 18		19 - 24	90387-17810	27 - 2	90480-01821	34 - 27
BS7-XF41D-90-P0	23 - 20	90111-06121	32 - 20	90183-06818	9 - 7		23 - 28	90387-20814	14 - 24		34 - 32
BS7-XF83F-10-P6	33 - 7	90111-06137	18 - 7		17 - 20		30 - 20	90388-10816	17 - 7	90480-10003	40 - 6
BS7-XF83F-30-P0	33 - 7	90111-06152	9 - 26	90201-04028	43 - 20		33 - 18	90401-10812	30 - 16	90480-11009	40 - 15
BS7-XH250-00	42 - 26	90111-06802	9 - 6	90201-04804	40 - 14		33 - 22		32 - 23	90480-12581	9 - 9
90105-06027	1 - 3	90111-06847	9 - 11	90201-05036	39 - 6		34 - 55	90401-20011	7 - 12		9 - 24
90105-07800	4 - 4		18 - 8	90201-05043	43 - 29		34 - 58	90430-06014	4 - 8	90480-12808	18 - 2
90105-088F7	10 - 6	90111-08087	26 - 2	90201-05827	38 - 8	90269-07007	17 - 32		5 - 16		18 - 4
90105-088F8	2 - 16		28 - 2	90201-06072	6 - 14	90280-05013	35 - 6		10 - 12		19 - 6

NUMERICAL INDEX

PART NO.	REF. NO.	PART NO.	REF. NO.	PART NO.	REF. NO.	PART NO.	REF. NO.	PART NO.	REF. NO.	PART NO.	REF. NO.
90480-12808	19 - 15	91317-08020	29 - 2	93399-99932	22 - 38	95602-14200	25 - 10	97707-50016	19 - 20		
	23 - 21		29 - 6	93399-999Y3	21 - 1	95602-16200	27 - 22		19 - 23		
	34 - 2	91317-08030	21 - 8	93440-24200	14 - 4	95607-08200	9 - 27		19 - 26		
	34 - 12	91317-10020	17 - 25		14 - 21	95612-08625	1 - 7		34 - 48		
	34 - 34	91317-10045	17 - 26	93440-28184	14 - 16	95702-05500	18 - 13		34 - 50		
	34 - 40	91317-10060	17 - 9	93440-52009	14 - 9	95702-06500	18 - 9		34 - 52		
90480-13001	40 - 4	91332-06016	8 - 3	93450-16068	2 - 14		34 - 5	98502-05016	43 - 5		
90480-13398	17 - 17		43 - 10	93501-04830	31 - 35	95707-06500	24 - 9	98502-06012	8 - 12		
	33 - 5	91332-06020	1 - 22		31 - 43		30 - 21	98507-04025	41 - 4		
90480-14229	38 - 6		4 - 10	93605-10090	2 - 21	95707-08500	9 - 20	98507-04030	41 - 6		
	39 - 5	91332-06030	7 - 8	93900-00828	25 - 6	95802-06010	31 - 29	98902-05020	8 - 31		
90480-15807	23 - 12	91401-20012	32 - 18		27 - 17	95812-06035	10 - 8	99002-07600	13 - 21		
90480-15808	6 - 16	91401-25015	31 - 14	94111-17801	25 - 5	95812-06045	10 - 9	99009-08400	5 - 11		
90480-18813	23 - 7		31 - 23	94114-17802	27 - 16	95812-06065	10 - 10	99009-10400	7 - 5		
90501-06022	15 - 3		31 - 38	94568-H3112	27 - 29	95812-08035	33 - 26		13 - 17		
90501-080A2	15 - 8		31 - 46	94568-K0118	4 - 5	95817-06012	23 - 10	99009-12400	16 - 6		
90501-12743	31 - 34	92012-08030	32 - 19	94700-00318	1 - 11	95817-10025	31 - 3	99009-15500	7 - 2		
	31 - 42	92014-08012	11 - 3	95022-06008	4 - 7	95822-06010	8 - 36	99530-08012	7 - 7		
90501-22800	2 - 20	92902-08600	13 - 20	95022-06012	24 - 4	95827-06025	6 - 13		11 - 8		
90506-23812	31 - 4		27 - 26		34 - 46	95D02-06016	43 - 14		11 - 11		
90506-26807	31 - 27	92907-10600	17 - 27		38 - 11	95D02-06025	43 - 16	99530-10014	10 - 5		
90508-18136	13 - 18	93101-20802	14 - 11	95022-06014	17 - 19	95D07-06016	43 - 26	99530-14016	1 - 13		
90508-183B9	31 - 12		14 - 27	95022-06020	6 - 3	95D07-08012	43 - 24		1 - 29		
	31 - 21	93102-12891	16 - 10		42 - 4	95D37-06014	32 - 26				
90508-29806	16 - 5	93102-15801	5 - 5	95022-06025	5 - 17	97012-06020	16 - 21				
90520-02843	23 - 4	93102-35808	14 - 30		7 - 17	97022-06030	23 - 9				
90520-03841	23 - 24	93106-23002	27 - 4		11 - 9		23 - 14				
90520-07808	33 - 6	93106-26815	25 - 3		11 - 12	97507-06525	41 - 20				
	33 - 9	93106-38046	27 - 8		11 - 18	97602-04212	30 - 12				
90520-10850	19 - 43	93210-068F7	10 - 14		11 - 23	97607-04230	41 - 7				
	19 - 48	93210-108H5	41 - 14		36 - 7	97702-50016	24 - 14				
90520-20825	39 - 4	93210-12803	10 - 3	95022-06050	11 - 13		33 - 4				
90520-30805	19 - 42	93210-15620	32 - 7	95022-08012	1 - 5		34 - 7				
	19 - 47	93210-16716	1 - 28	95022-08014	23 - 15		34 - 15				
90560-06244	19 - 36	93210-21801	43 - 4	95027-06010	9 - 3		34 - 20				
91312-05008	42 - 17	93210-27807	5 - 20	95027-06025	30 - 13		34 - 22				
91312-05010	23 - 18	93210-32816	11 - 6	95027-08035	9 - 15		34 - 25				
	23 - 40	93210-39802	8 - 2	95302-06600	16 - 16		34 - 30				
	29 - 19	93306-20314	27 - 3	95302-08600	27 - 27		34 - 54				
91312-05012	11 - 2	93306-255Y9	14 - 8	95602-05100	43 - 28		34 - 57				
91312-06010	5 - 13	93306-302X4	25 - 4	95602-06100	30 - 9		38 - 7				
91312-06025	11 - 15	93306-30450	27 - 7		41 - 15		39 - 3				
91312-06030	35 - 3	93311-420Y3	14 - 10	95602-06200	18 - 32		39 - 7				
91312-10040	22 - 40		14 - 26	95602-10200	27 - 15		39 - 10				
91317-06016	29 - 3	93315-21570	5 - 4		31 - 7	97702-50025	8 - 28				
	29 - 7	93317-11096	5 - 3	95602-12100	20 - 10	97707-30020	38 - 4				
91317-06020	29 - 15	93317-11295	16 - 9		20 - 16	97707-40020	40 - 13				
91317-06030	33 - 32	93320-32403	20 - 5	95602-14200	20 - 6	97707-50016	18 - 26				